



Seedbed Tillage

Raptor™ Strip-Till Tool With 12-Ton Dry Fertilizer Cart

Models 2030DT & 2015DT
Beginning with Serial Number A62580100

Parts Catalog Part Number 47033

Refer to Part Number 45615 for Operator's Manual.

SECTION V

Parts

Decals	5-4
Axle, Extension, and Wheel Components.....	5-6
Hub Components.....	5-8
Frame Components	5-10
Platform Components.....	5-12
Ladder Components	5-14
Tank Lid, Screens, and Hold Down Components.....	5-16
Tank Lid Mechanism and Internal Ladder Components.....	5-18
Tank and Lower Mounting Components.....	5-20
Meter Housing Assembly Components For 2.5" Hoses (Part 1).....	5-22
Meter Housing Assembly Components For 2.5" Hoses (Part 2).....	5-24
Meter Housing Assembly Components For 2" Hoses (Part 1).....	5-26
Meter Housing Assembly Components For 2" Hoses (Part 2).....	5-28
Primary Distribution Box Components (2.5" Hoses) SN#A68760100 & Up.....	5-30
Primary Distribution Box Components (2" Hoses) SN#A68760100 & Up.....	5-31
Primary Distribution Box Components SN#A68760099 & Lower.....	5-32
Secondary Distribution Box Components (2.5" Hoses) SN#68760100 & Up.....	5-33
Secondary Distribution Box Components (2" Hoses) SN#68760100 & Up.....	5-34
Secondary Distribution Box Components SN#A68760099 & Lower.....	5-35
Fan, Air Manifold, and Hoses Components	5-36
Fertilizer Hose Support Components (2.5" Hoses) SN#A70040100 & Up.....	5-38
Fertilizer Hose Support Components (2" Hoses) SN#A70040100 & Up.....	5-40
Dry Fertilizer Diffuser and Row Blockage Components.....	5-42
Electrical Components.....	5-44
Hydraulic Components SN#68760100 & Up.....	5-46
Hydraulic Components SN#A68760099 & Lower	5-48
GPS Mounting Bracket Option	5-50
Raven Controller ISO Kit.....	5-51

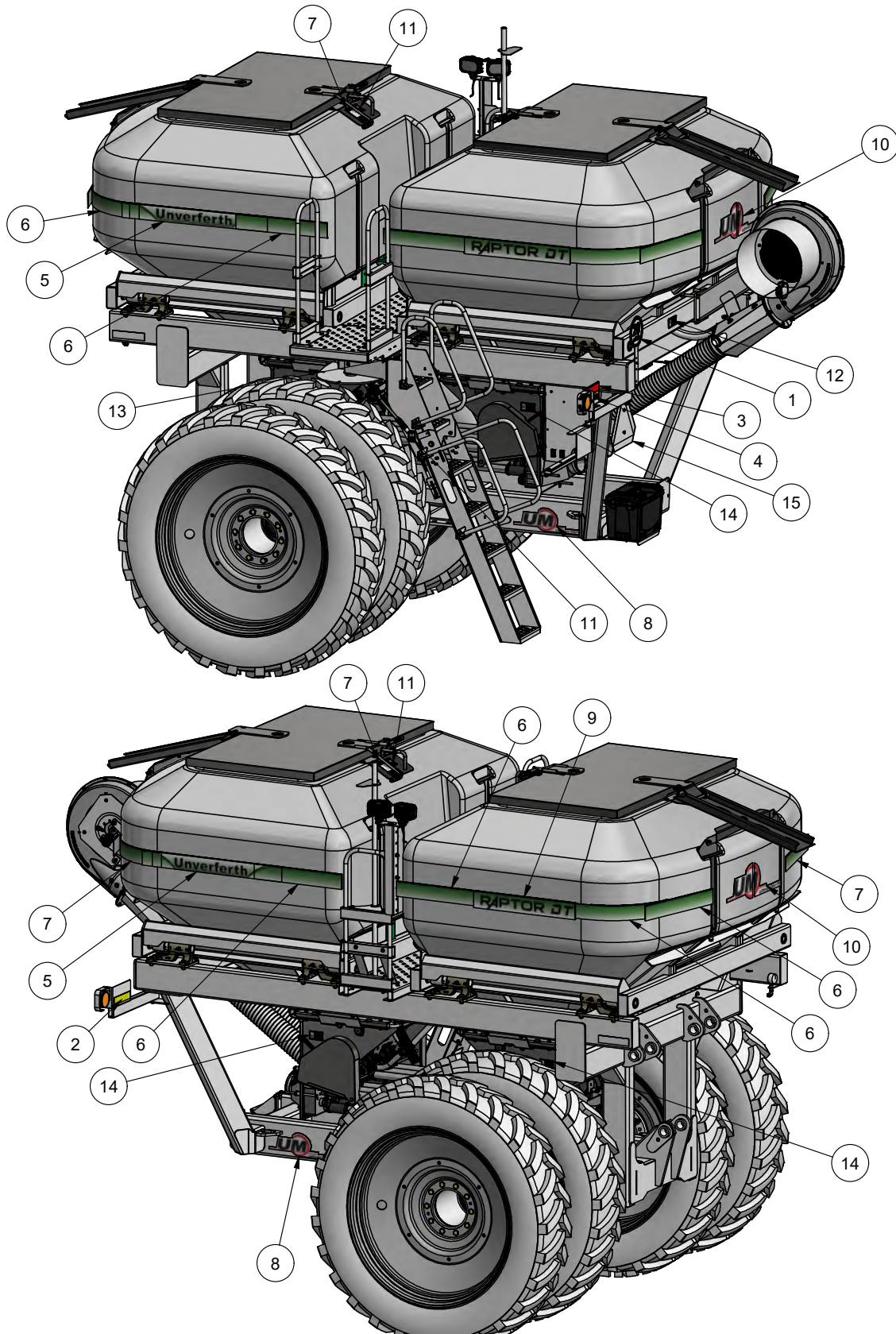
12-TON DRY FERTILIZER CART — Parts

Notes

12-TON DRY FERTILIZER CART — Parts

Decals

Please visit www.unverferth.com/parts/ for the most current parts listing.



12-TON DRY FERTILIZER CART — Parts

Decals

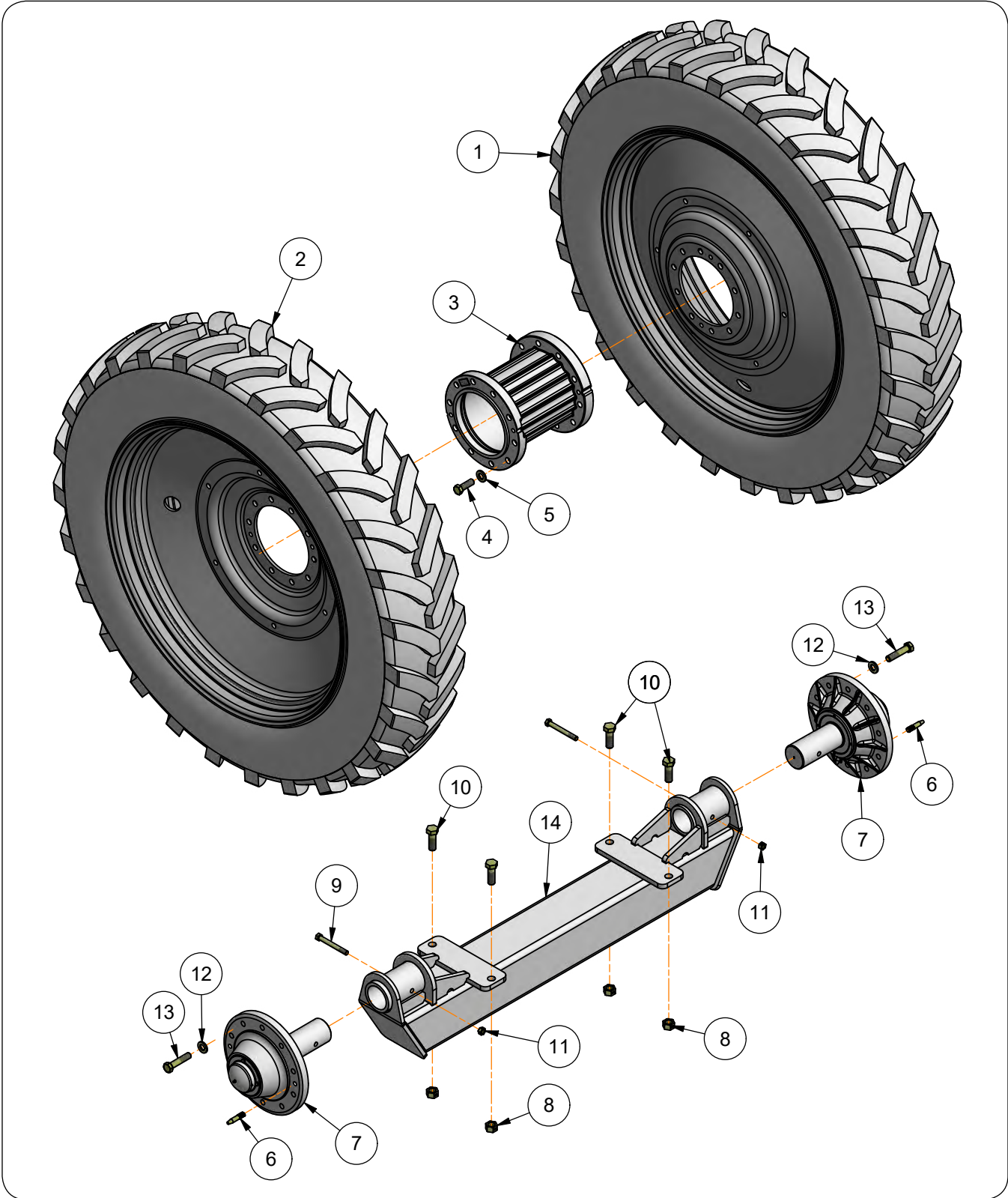
Please visit www.unverferth.com/parts/ for the most current parts listing.

ITEM	PART NO.	DESCRIPTION	QTY	NOTES
1	79670B	Plate with 20MPH Decal	1	
2	9003125	Decal, Fluorescent Orange	2	
3	9003126	Reflector, RED	2	
4	9003127	Reflector, AMBER	4	
5	9007581	Decal/Tank, UNVERFERTH (Green)	2	
	9007582	Decal/Tank, UNVERFERTH (Red)		
6	9007583	Decal/Tank, Stripe (Green)	12	
	9007584	Decal/Tank, Stripe (Red)		
7	9008838	Decal, DANGER "Flowing Material"	2	
8	9503731	Decal, UM Logo (6.2" x 20")	2	
9	9503732	Decal, RAPTOR DT (Green)	2	
	9503733	Decal, RAPTOR DT (Red)		
10	9503740	Decal, UM Logo (9.375" x 30")	2	
11	97048	Decal, WARNING "Pinch Point"	2	
12	97945	Decal, WARNING "Rotor/Impeller"	1	
13	98350	Decal, WARNING "No Riders"	1	
14	TA1-906109-0	Decal, WARNING "Moving Parts"	8	
15	TA510514	SMV Emblem	1	

12-TON DRY FERTILIZER CART — Parts

Axle, Extension, and Wheel Components

Please visit www.unverferth.com/parts/ for the most current parts listing.



12-TON DRY FERTILIZER CART — Parts

Axle, Extension, and Wheel Components

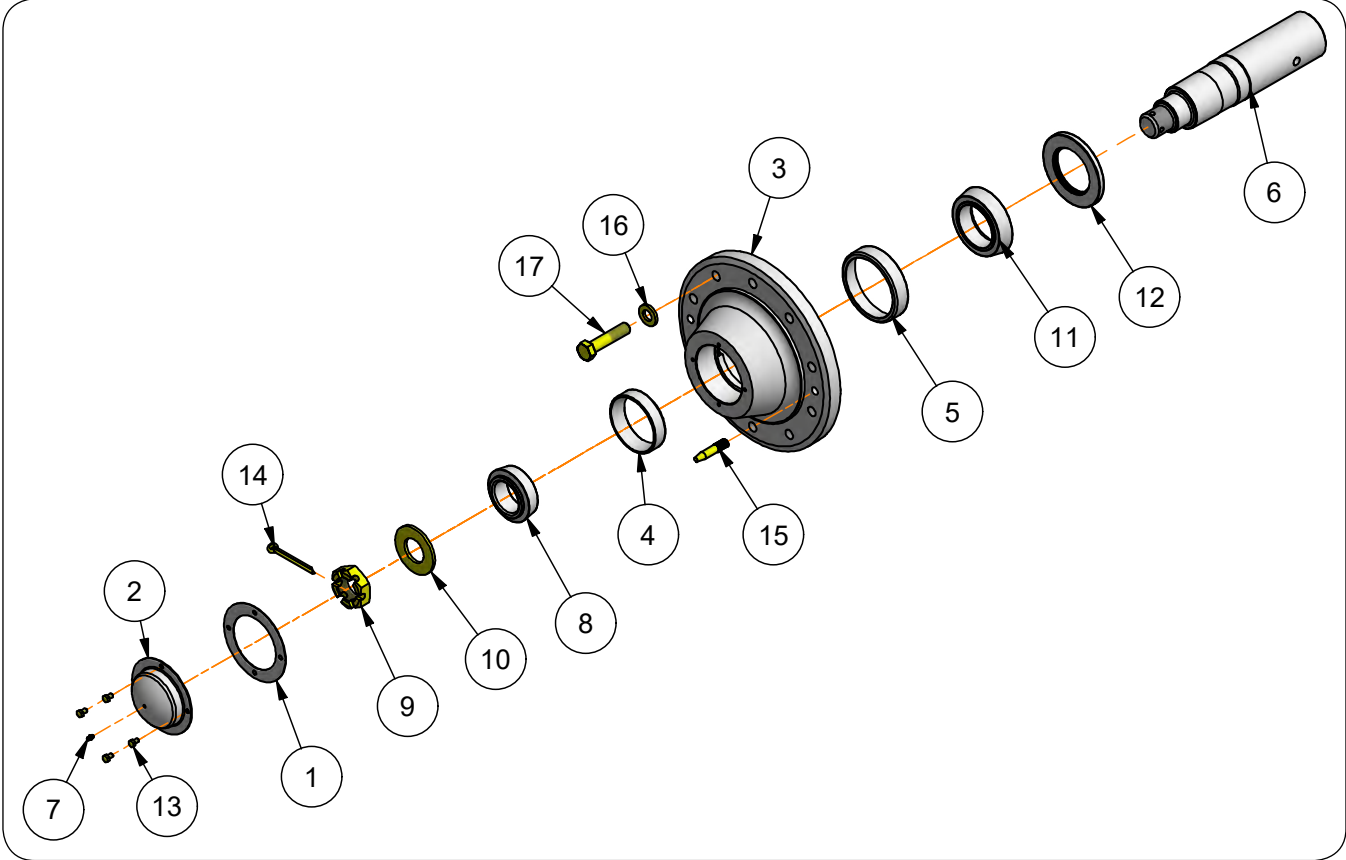
Please visit www.unverferth.com/parts/ for the most current parts listing.

ITEM	PART NO.	DESCRIPTION	QTY	NOTES
1	16366SM/902519	Mounted Wheel & Tire (TL380/90R46 R-1W)	2	Inner Mounted Wheel & Tire
	16366SM	13 x 46 Formed Plate Wheel w/10" Outset		
	93300	Valve Stem		
2	16477SM/902519	Mounted Wheel & Tire (TL380/90R46 R-1W)	2	Outside Mounted Wheel & Tire
	16477SM	13 x 46 Formed Plate Wheel w/5" Outset		
	93300	Valve Stem		
3	111663B	15" 10 Bolt Hub Extension w/Hardware	2	
4	95657	Capscrew, M22 x 2.5P C10.9 Full Threaded	20	
5	97041	Flat Washer, 7/8" NOM.	20	
6	19293	Guide Pin, .625" Dia. x 3.125"	4	
7	401593B	Hub & Spindle Assembly	2	
8	92199	Lock Nut/Center, 1"-8UNC	4	
9	9390-135	Capscrew, 5/8"-11UNC x 5 1/2" G5	2	
10	9390-187	Capscrew, 1"-8UNC x 3" G5	4	
11	95905	Lock Nut/Center, 5/8"-11UNC	2	
12	97041	Flat Washer, 7/8" NOM	20	
13	97043	Capscrew, 7/8"-14UNF x 4" G8	20	
14	44642G	Axle Weldment, 70 1/2" =Green=	1	
	44642R	Axle Weldment, 70 1/2" =Red=		

12-TON DRY FERTILIZER CART — Parts

Hub Components

Please visit www.unverferth.com/parts/ for the most current parts listing.



12-TON DRY FERTILIZER CART — Parts

Hub Components

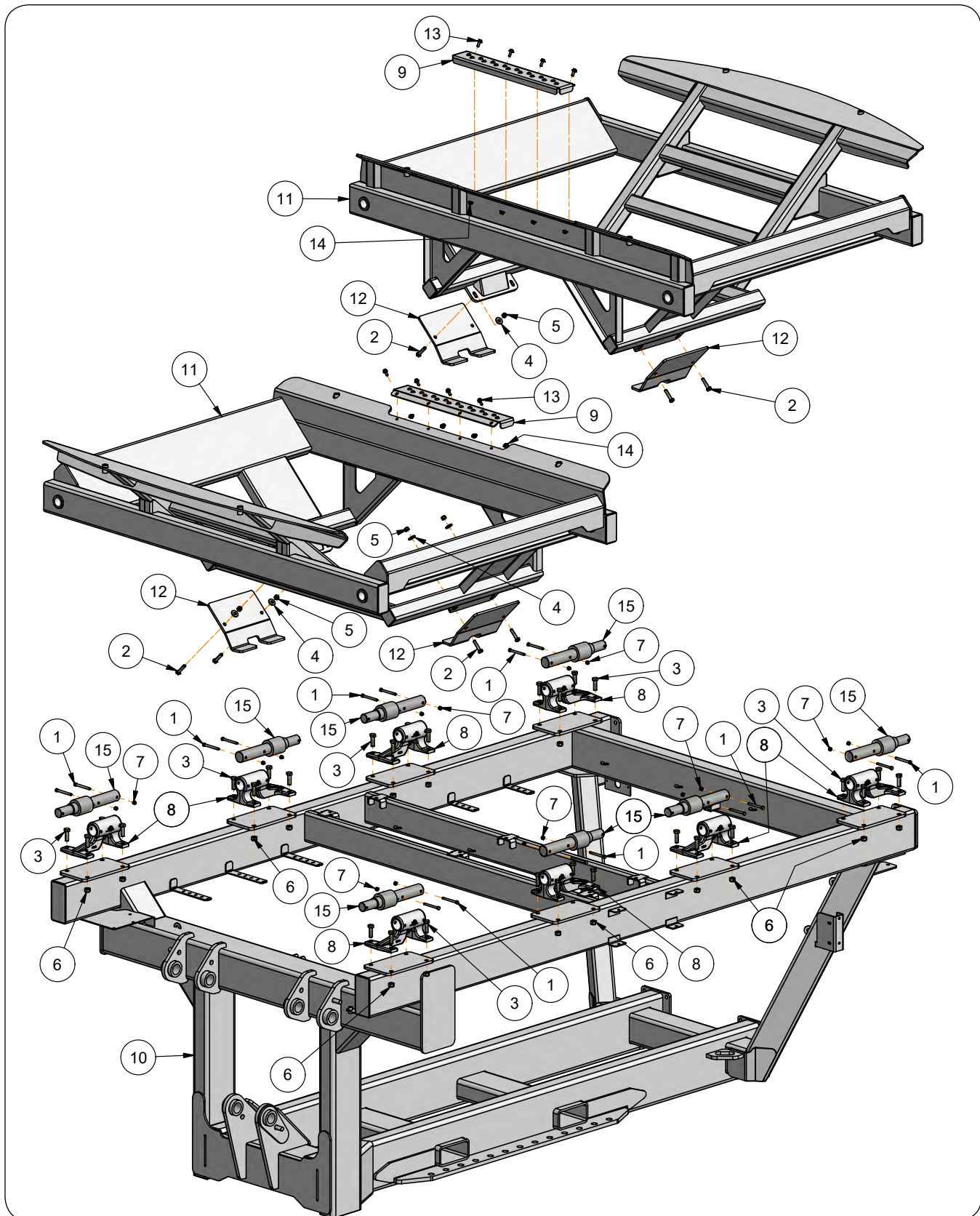
Please visit www.unverferth.com/parts/ for the most current parts listing.

ITEM	PART NO.	DESCRIPTION	QTY	NOTES
	401593B	Hub & Spindle Assembly	2	Includes Items 1-14
1	284230	Hub Cap Gasket 6 1/2" Dia.	1	
2	286171B	Hub Cap	1	
3	401144B	Hub with Bearing Cups	1	Includes Items 4 & 5
4	92462	Bearing Cup, 4.8125" Dia. (HM212011)	1	
5	92476	Bearing Cup, 5.786" Dia. (HM218210)	1	
6	401580	Spindle, 3 3/4" Dia. x 17 3/16"	1	
7	91160	Grease Zerk	1	
8	92464	Bearing Cone, 2.625" Bore (HM212049)	1	
9	92470	Hex Castle Nut, 2"-12UNF	1	
10	92472	Spindle Washer, 4" OD x 2 1/16" ID (Hardened)	1	
11	92545	Bearing Cone (HM218248)	1	
12	92565	Seal, Single Lip w/Garter Spring	1	
13	9390-026	Capscrew, 5/16"-18UNC x 1/2" G5	4	
14	9391-090	Cotter Pin, 3/8" Dia. x 4"	1	
15	19293	Guide Pin, .625" Dia. x 3.125"	1	
16	97041	Flat Washer, 7/8" NOM	10	
17	97043	Capscrew, 7/8"-14UNF x 4" G8	10	

12-TON DRY FERTILIZER CART — Parts

Frame Components

Please visit www.unverferth.com/parts/ for the most current parts listing.



12-TON DRY FERTILIZER CART — Parts

Frame Components

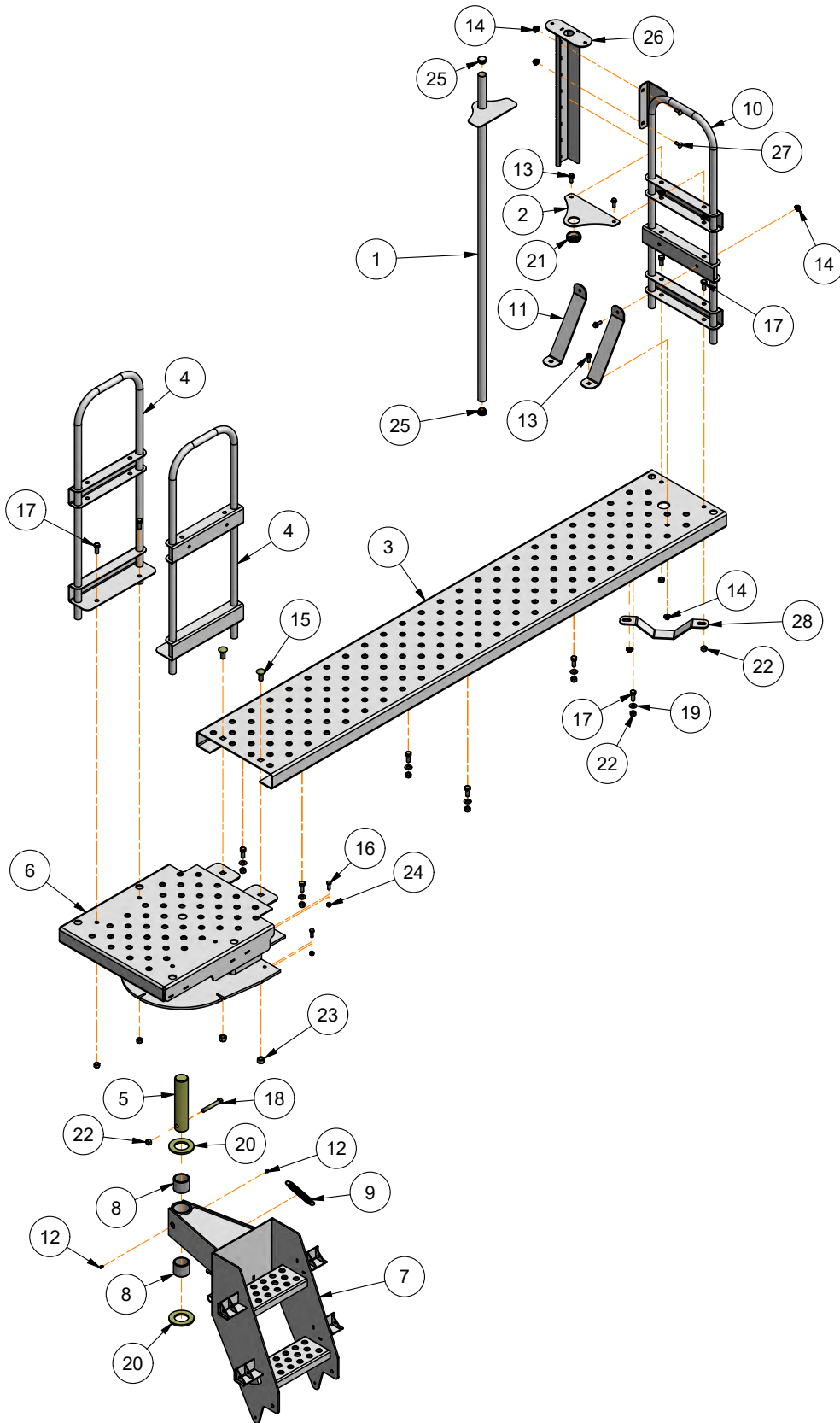
Please visit www.unverferth.com/parts/ for the most current parts listing.

ITEM	PART NO.	DESCRIPTION	QTY	NOTES
1	9390-066	Capscrew, 3/8"-16UNC x 3 3/4" G5	16	
2	9390-104	Capscrew, 1/2"-13UNC x 2 1/4" G5	8	
3	9390-124	Capscrew, 5/8"-11UNC x 2" G5	32	
4	9405-088	Flat Washer, 1/2" USS	8	
5	9800	Lock Nut/Top, 1/2"-13UNC	8	
6	9801	Lock Nut/Top, 5/8"-11UNC	32	
7	9928	Lock Nut/Top, 3/8"-16UNC	16	
8	29477B	Scale Bracket =Black=	8	
9	43390G	Step with Dimples =Green=	2	
	43390R	Step with Dimples =Red=		
10	44785G	Lower Frame Weldment =Green=	1	
	44785R	Lower Frame Weldment =Red=		
11	45294G	Tank Cradle Weldment =Green=	2	
	45294R	Tank Cradle Weldment =Red=		
12	45476G	Plate =Green=	4	
	45476R	Plate =Red=		
13	91262	Flange Screw, 3/8"-16UNC x 1" G5	8	
14	91263	Nut/Large Flange, 3/8"-16UNC	8	
15	901173	Weigh Bar, 2 1/8" Dia. x 15 5/8" w/21' Cable	8	

12-TON DRY FERTILIZER CART — Parts

Platform Components

Please visit www.unverferth.com/parts/ for the most current parts listing.



12-TON DRY FERTILIZER CART — Parts

Platform Components

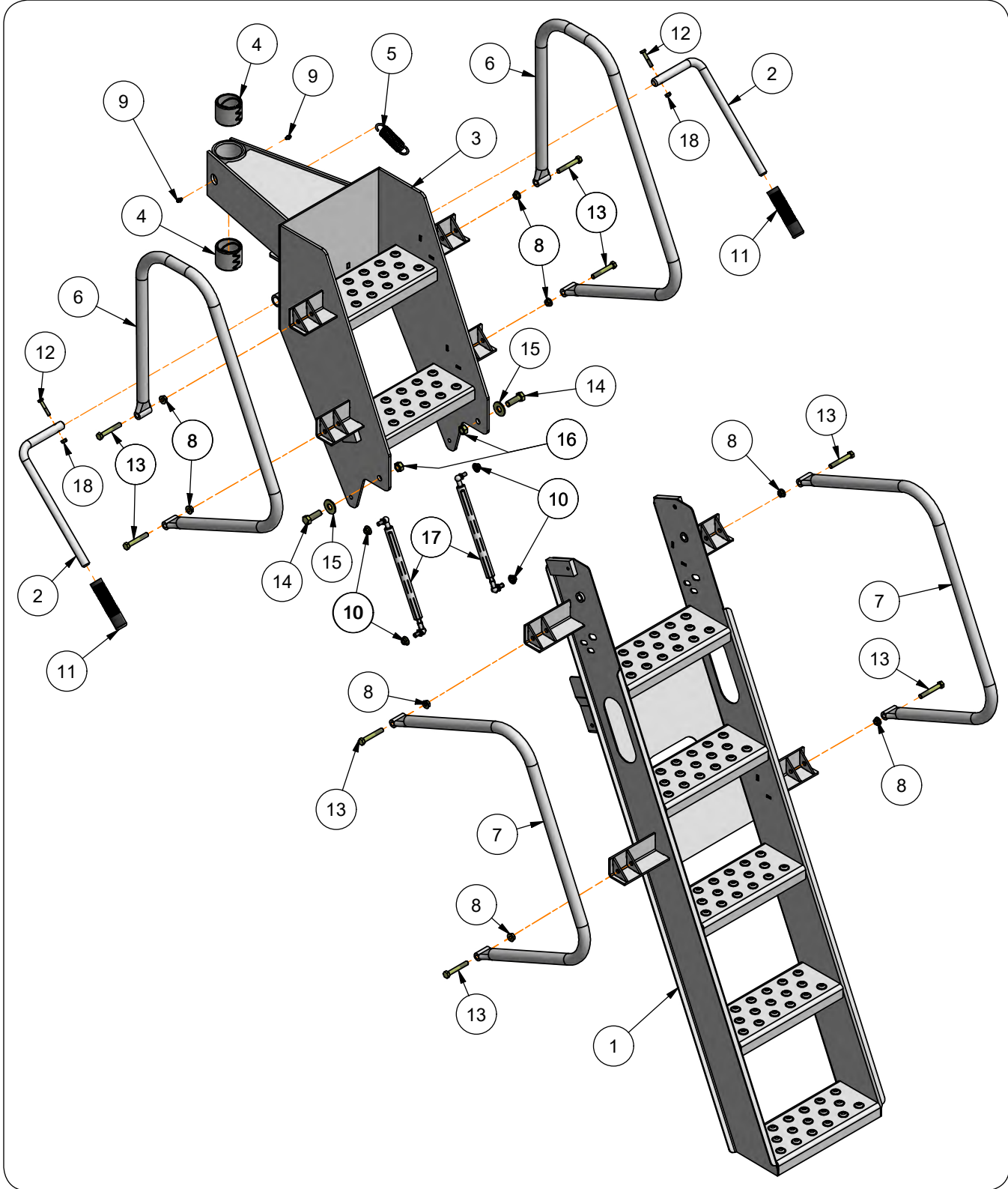
Please visit www.unverferth.com/parts/ for the most current parts listing.

ITEM	PART NO.	DESCRIPTION	QTY	NOTES
1	45928	Scraper Weldment (Stainless Steel)	1	
2	45978B	Mounting Plate for Scraper Weldment =Black=	1	
3	601486G	Platform with Dimples =Green=	1	
	601486R	Platform with Dimples =Red=		
4	601504G	Rail Weldment =Green=	2	
	601504R	Rail Weldment =Red=		
5	602569	Pin 2" Dia. x 9 11/32"	1	
6	602595G	Platform Step Weldment =Green=	1	
	602595R	Platform Step Weldment =Red=		
7	602596G	Partial Step/Ladder Weldment =Green=	1	Includes Items 8 & 9
	602596R	Partial Step/Ladder Weldment =Red=		
8	9504245	Steel Bushing, 2 3/8" OD x 2" ID x 2" (Hardened)	1	
9	9501906	Extension Spring 0.859" Dia. x 5.75"	1	
10	602751G	Side Rail Weldment =Green=	1	
	602751R	Side Rail Weldment =Red=		
11	603051G	Plate/Strap =Green=	2	
	603051R	Plate/Strap =Red=		
12	91160	Grease Zerk	2	
13	91262	Flange Screw, 3/8"-16UNC x 1" G5	21	
14	91263	Nut/Large Flange, 3/8"-16UNC	23	
15	9388-133	Carriage Bolt, 5/8"-11UNC x 1 1/2" G5	2	
16	9390-055	Capscrew, 3/8"-16UNC x 1" G5	4	
17	9390-100	Capscrew, 1/2"-13UNC x 1 1/4" G5	12	
18	9390-109	Capscrew, 1/2"-13UNC x 3 1/2" G5	1	
19	9405-086	Flat Washer, 1/2" SAE	22	
20	9405-164	Flat Washer, 2" SAE	2	
21	97421	Grommet, 1 1/2" ID	1	
22	9800	Lock Nut/Top, 1/2"-13UNC	31	
23	9801	Lock Nut/Top, 5/8"-11UNC	40	
24	9928	Lock Nut/Top, 3/8"-16UNC	20	
25	901508	Plug, 1 1/4"	5	
26	44978G	Light Bracket Weldment =Green=	1	
	44978R	Light Bracket Weldment =Red=		
27	9388-051	Carriage Bolt, 3/8"-16UNC x 1" G5	2	
28	46468B	Strap =Black=	1	

12-TON DRY FERTILIZER CART — Parts

Ladder Components

Please visit www.unverferth.com/parts/ for the most current parts listing.



12-TON DRY FERTILIZER CART — Parts

Ladder Components

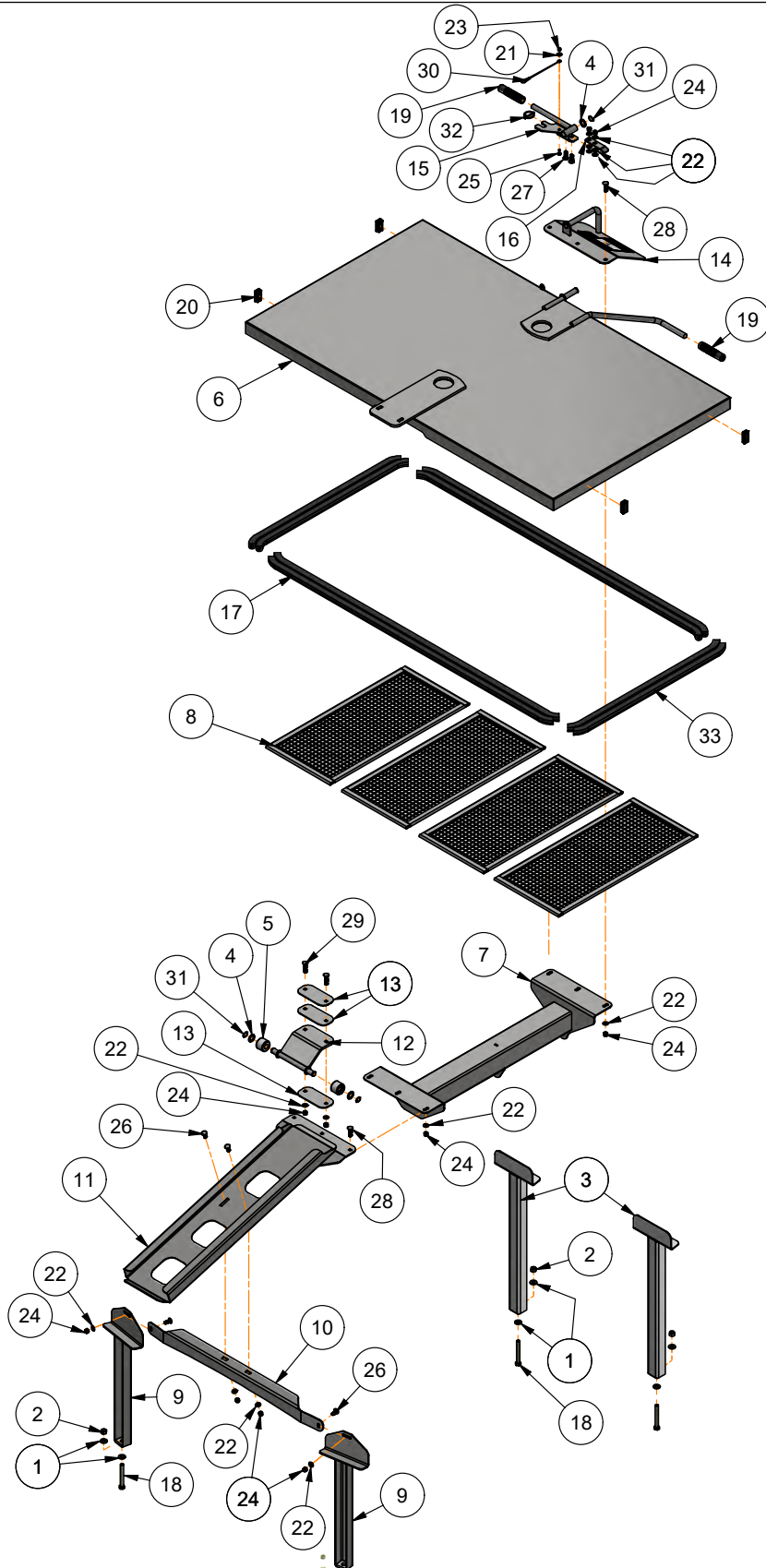
Please visit www.unverferth.com/parts/ for the most current parts listing.

ITEM	PART NO.	DESCRIPTION	QTY	NOTES
1	602590G	Ladder Weldment =Green=	1	
	602590R	Ladder Weldment =Red=		
2	602594G	Handle =Green=	2	
	602594R	Handle =Red=		
3	602596G	Partial Step/Ladder Weldment =Green=	1	Includes Items 4 & 5
	602596R	Partial Step/Ladder Weldment =Red=		
4	9504245	Steel Bushing, 2 3/8" OD x 2" ID x 2" (Hardened)	2	
5	9501906	Extension Spring 0.859" Dia. x 5.75"	1	
6	602798G	Upper Handrail Weldment =Green=	2	
	602798R	Upper Handrail Weldment =Red=		
7	602802G	Lower Handrail Weldment =Green=	2	
	602802R	Lower Handrail Weldment =Red=		
8	9003396	Lock Nut/Top, 3/8"-16UNC	8	
9	91160	Grease Zerk	2	
10	91257	Hex Nut/Flange, 5/16"-18UNC	4	
11	92928	Grip/Handle, 3/4" Dia.	6	
12	9390-007	Capscrew, 1/4"-20UNC x 1 1/2" G5	2	
13	9390-061	Capscrew, 3/8"-16UNC x 2 1/2" G5	8	
14	9390-101	Capscrew, 1/2"-13UNC x 1 1/2" G5	2	
15	9405-088	Flat Washer, 1/2" USS	10	
16	94981	Lock Nut/Center, 1/2"-13UNC	2	
17	9501085	Gas Spring	2	
18	9936	Lock Nut/Top, 1/4"-20UNC	4	

12-TON DRY FERTILIZER CART — Parts

Tank Lid, Screens, and Hold Down Components

Please visit www.unverferth.com/parts/ for the most current parts listing.



12-TON DRY FERTILIZER CART — Parts

Tank Lid, Screens, and Hold Down Components

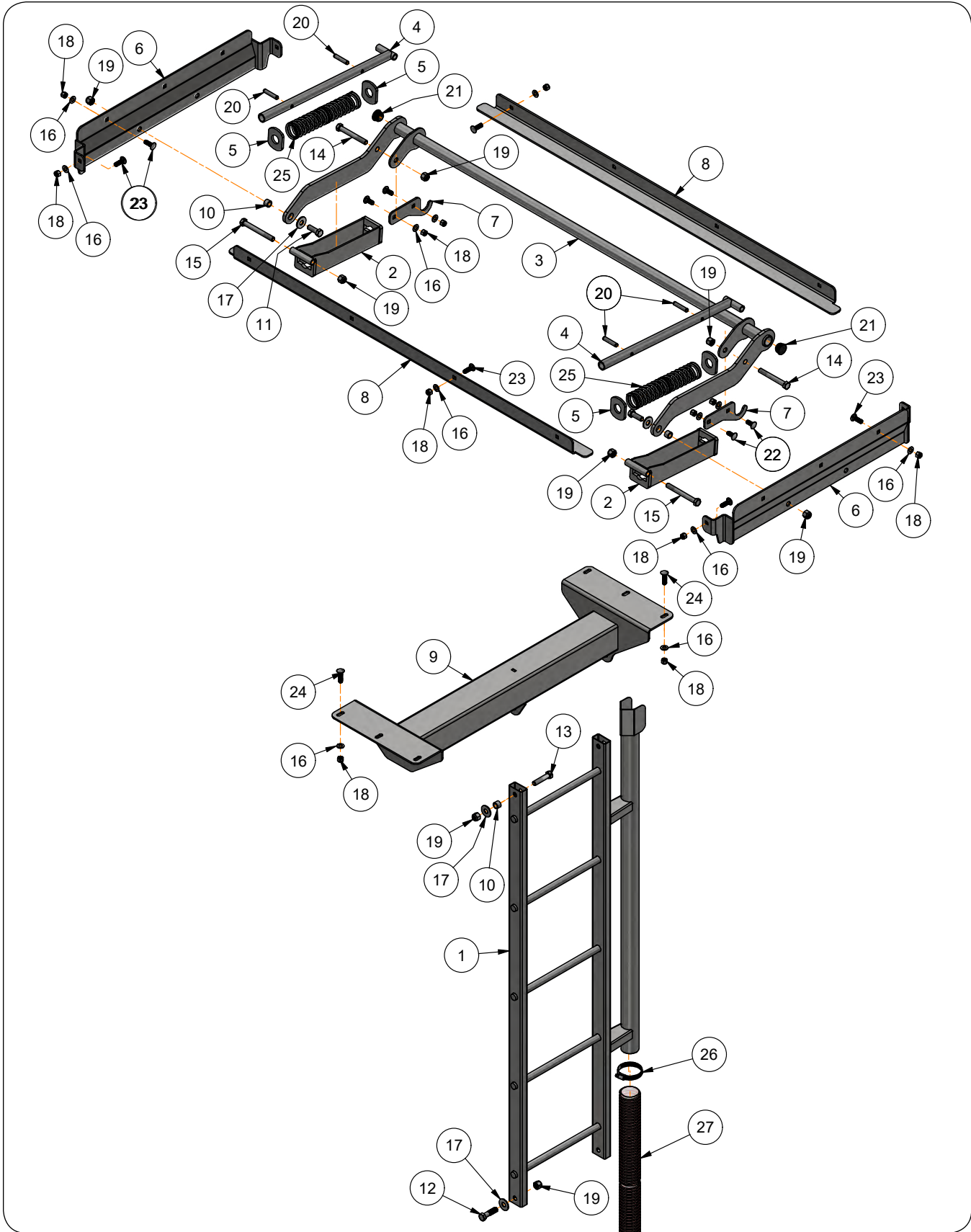
Please visit www.unverferth.com/parts/ for the most current parts listing.

ITEM	PART NO.	DESCRIPTION	QTY	NOTES
1	9405-086	Flat Washer, 1/2" SAE	8	
2	9800	Lock Nut/Top, 1/2"-13UNC	4	
3	43081	Tank Hold Down Weldment (Stainless Steel)	2	
4	44686	Plate/Washer, 1 1/4" OD x 25/32" ID (Stainless Steel)	3	
5	45351	UHMW Roller, 1 3/4" Dia. x 1 3/8"	2	
6	45395	Lid Weldment (Stainless Steel)	1	
7	45418	Tank Cross Brace Weldment (Stainless Steel)	1	
8	45422	Grate Wire Mesh, 14" x 30" (Stainless Steel)	4	
9	45428	Tank Hold Down Weldment (Stainless Steel)	2	
10	45429	Plate/Bracket (Stainless Steel)	1	
11	45430	Tank Weldment (Stainless Steel)	1	
12	45434	Tank Weldment (Stainless Steel)	1	
13	45445	Plate, 2 3/4" x 5 1/4"	3	
14	45450	Latch Weldment w/Handle (Stainless Steel)	1	
	97048	Decal, WARNING "Pinch Point"	1	
	9008838	Decal, DANGER "Flowing Material"	1	
15	45455	Latch Weldment (Stainless Steel)	1	
16	45456	Plate/Strap, 1" (Stainless Steel)	1	
17	45564	Rubber Seal, 1" x 1" x 60 13/16"	4	
18	91552	Capscrew, 1/2"-13UNC x 4" G5 (Full Threaded)	4	
19	92928	Grip/Handle 3/4" Dia. x 4 13/16"	2	
20	98337	Plug, 1" x 2"	4	
21	900902-032	Flat Washer, 1/4" USS (Stainless Steel)	1	
22	900902-037	Flat Washer, 3/8" SAE (Stainless Steel)	58	
23	900905-007	Elastic Stop Nut, 1/4"-20UNC (Stainless Steel)	1	
24	900905-012	Elastic Stop Nut, 3/8"-16UNC (Stainless Steel)	51	
25	902947	Carriage Bolt, 1/4"-20UNC x 3/4" (Stainless Steel)	1	
26	9007908-051	Carriage Bolt, 3/8"-16UNC x 1" (Stainless Steel)	12	
27	9007908-052	Carriage Bolt, 3/8"-16UNC x 1 1/4" (Stainless Steel)	20	
28	9007908-053	Carriage Bolt, 3/8"-16UNC x 1 1/2" (Stainless Steel)	14	
29	9007908-054	Carriage Bolt, 3/8"-16UNC x 1 3/4" (Stainless Steel)	2	
30	9502661	Nylon Lanyard, 8"	1	
31	9503560	Retaining Ring, 3/4" NOM (Stainless Steel)	3	
32	9503802	Klik Pin, 3/16" Dia. x 1 3/4" (Stainless Steel)	1	
33	45560	Rubber Seal, 1" x 1" x 32 5/16"	2	

12-TON DRY FERTILIZER CART — Parts

Tank Lid Mechanism and Internal Ladder Components

Please visit www.unverferth.com/parts/ for the most current parts listing.



12-TON DRY FERTILIZER CART — Parts

Tank Lid Mechanism and Internal Ladder Components

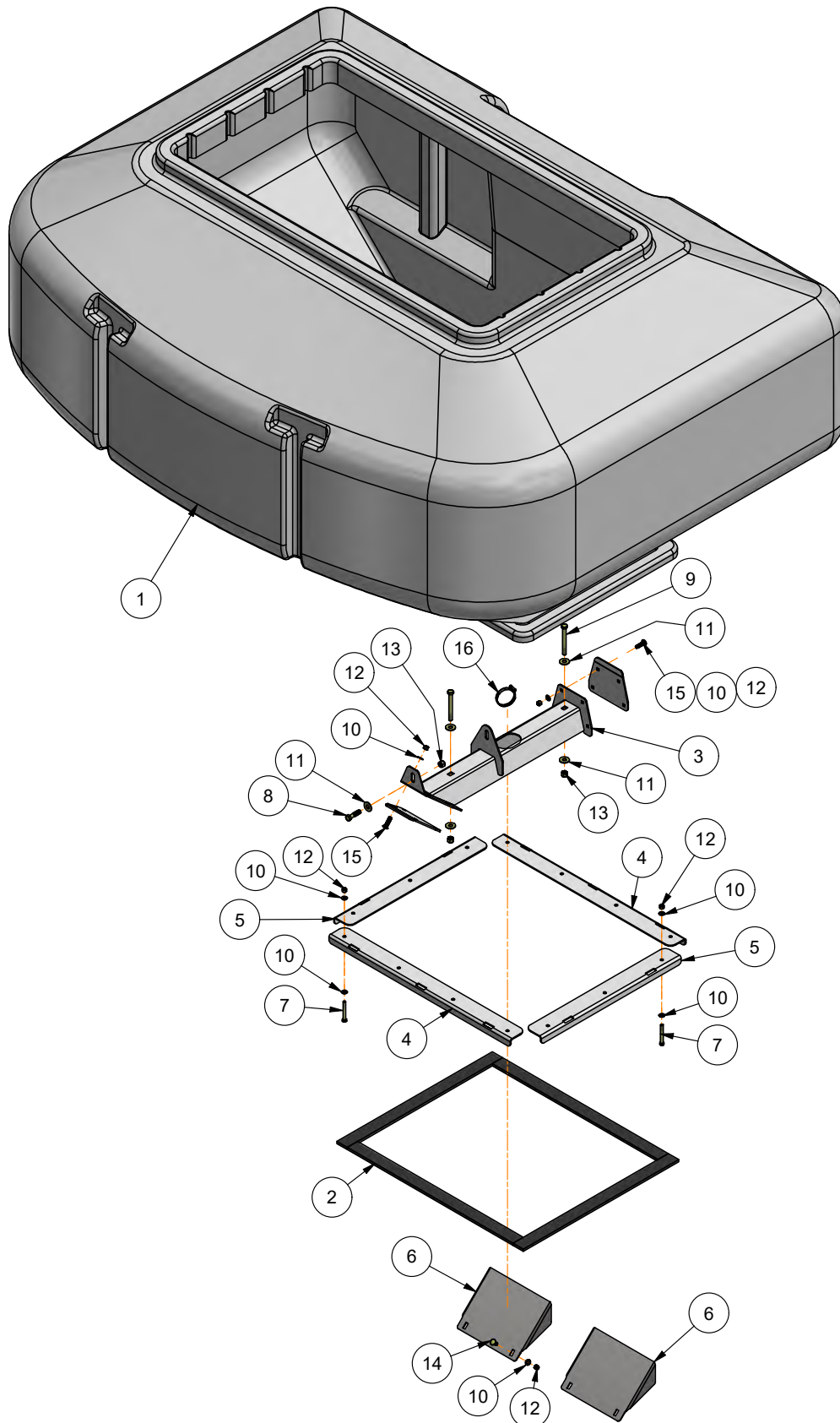
Please visit www.unverferth.com/parts/ for the most current parts listing.

ITEM	PART NO.	DESCRIPTION	QTY	NOTES
1	43232	Ladder Weldment (Stainless Steel)	1	
2	45360	Spring Case Weldment (Stainless Steel)	2	
3	45401	Pivot Weldment (Stainless Steel)	1	
4	45404	Tube Weldment (Stainless Steel)	2	
5	45407	Plate/Spring Washer (Stainless Steel)	4	
6	45412	Lid Weldment, 30 7/8" (Stainless Steel)	2	
7	45413	Plate/Hook (Stainless Steel)	2	
8	45414	Plate/Lid Rail, 55 3/4" (Stainless Steel)	2	
9	45418	Tank Cross Brace Weldment (Stainless Steel)	1	
10	45446	Round Tube/Bushing (Stainless Steel)	4	
11	900900-101	Capscrew, 1/2"-13UNC x 1 1/2" (Stainless Steel)	2	
12	900900-103	Capscrew, 1/2"-13UNC x 2" (Stainless Steel)	2	
13	900900-104	Capscrew 1/2"-13UNC x 2 1/4" (Stainless Steel)	2	
14	900900-111	Capscrew 1/2"-13UNC x 4" (Stainless Steel)	2	
15	900900-112	Capscrew, 1/2"-13UNC x 4 1/2" (Stainless Steel)	4	
16	900902-037	Flat Washer, 3/8" SAE (Stainless Steel)	58	
17	900902-044	Flat Washer, 1/2" USS (Stainless Steel)	10	
18	900905-012	Elastic Stop Nut, 3/8"-16UNC (Stainless Steel)	51	
19	900905-016	Elastic Stop Nut, 1/2"-13UNC (Stainless Steel)	12	
20	900910-207	Spiral Pin, 3/8" Dia. x 2" (Stainless Steel)	4	
21	901508	Plug, 1 1/4"	2	
22	9007908-051	Carriage Bolt, 3/8"-16UNC x 1" (Stainless Steel)	12	
23	9007908-052	Carriage Bolt, 3/8"-16UNC x 1 1/4" (Stainless Steel)	20	
24	9007908-053	Carriage Bolt, 3/8"-16UNC x 1 1/2" (Stainless Steel)	14	
25	9503762	Compression Spring	4	
26	TA800922	Worm Drive Hose Clamp, 3/4" to 2 5/8" (Stainless Steel)	2	
27	9501880	Tank Pressure/Air Seeder Hose, 2" ID x 2.32" OD	AR	Specify in Feet

12-TON DRY FERTILIZER CART — Parts

Tank and Lower Mounting Components

Please visit www.unverferth.com/parts/ for the most current parts listing.



12-TON DRY FERTILIZER CART — Parts

Tank and Lower Mounting Components

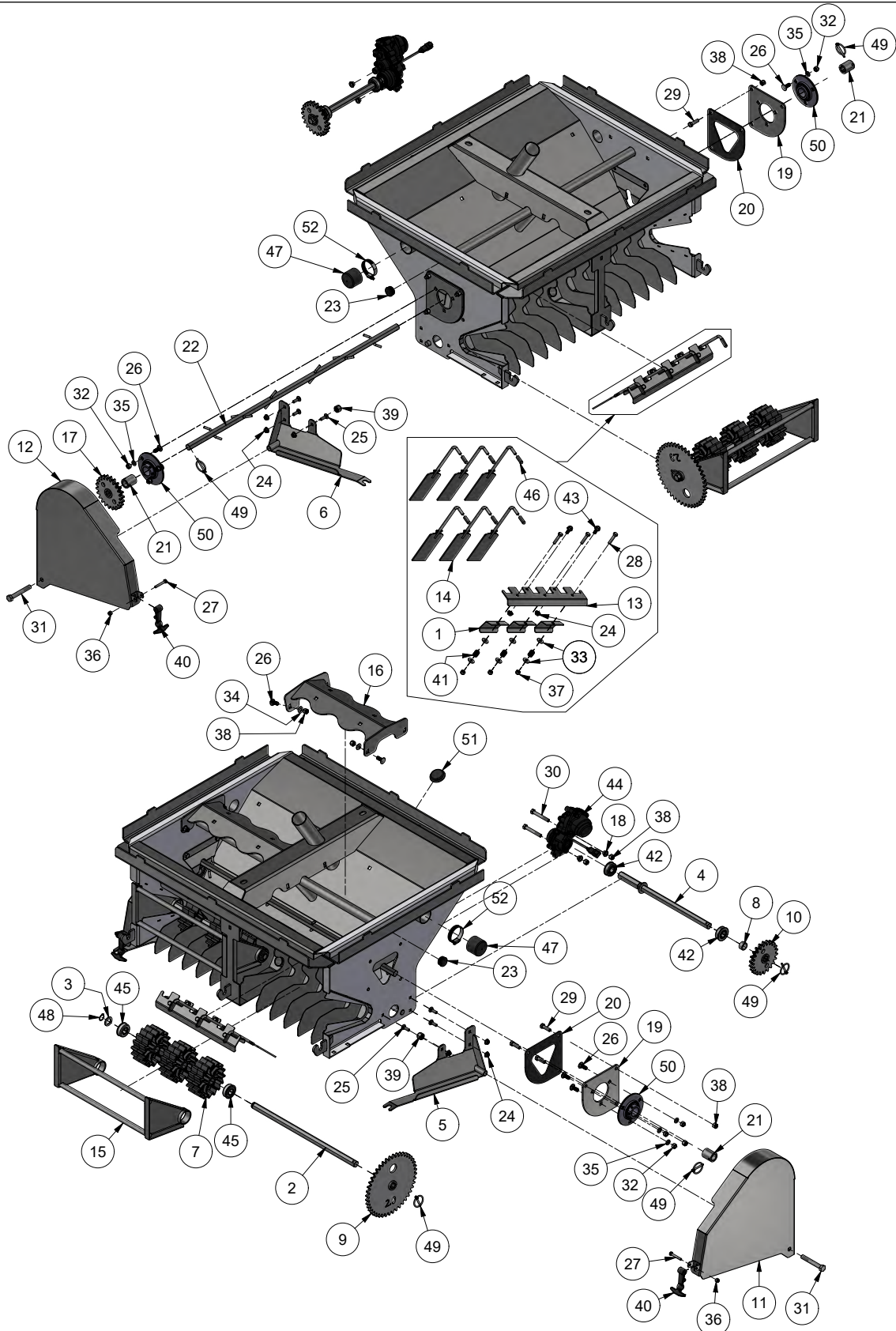
Please visit www.unverferth.com/parts/ for the most current parts listing.

ITEM	PART NO.	DESCRIPTION	QTY	NOTES
1	42835	Plastic Tank 185 CU. FT. =Gray=	1	
2	9503110	Foam Tape 3/8" x 2"	AR	Specify in Feet
3	45425	Channel Weldment (Stainless Steel)	1	
4	45514	Angle, 35" Long (Stainless Steel)	2	
5	45519	Angle, 27" Long (Stainless Steel)	2	
6	45871	Plate/Panel (Stainless Steel)	2	
7	900900-063	Capscrew, 3/8"-16UNC x 3" (Stainless Steel)	14	
8	900900-103	Capscrew, 1/2"-13UNC x 2" (Stainless Steel)	2	
9	900900-112	Capscrew, 1/2"-13UNC x 4 1/2" (Stainless Steel)	2	
10	900902-037	Flat Washer, 3/8" SAE (Stainless Steel)	36	
11	900902-044	Flat Washer, 1/2" USS (Stainless Steel)	6	
12	900905-012	Elastic Stop Nut, 3/8"-16UNC (Stainless Steel)	26	
13	900905-016	Elastic Stop Nut, 1/2"-13UNC (Stainless Steel)	4	
14	9007908-051	Carriage Bolt, 3/8"-16UNC x 1" (Stainless Steel)	4	
15	9007908-053	Carriage Bolt, 3/8"-16UNC x 1 1/2" (Stainless Steel)	8	
16	TA800922	Worm Drive Hose Clamp, 3/4" to 2 5/8" (Stainless Steel)	1	

12-TON DRY FERTILIZER CART — Parts

Meter Housing Assembly Components For 2.5" Hoses (Part 1)

Please visit www.unverferth.com/parts/ for the most current parts listing.



12-TON DRY FERTILIZER CART — Parts

Meter Housing Assembly Components For 2.5" Hoses (Part 1)

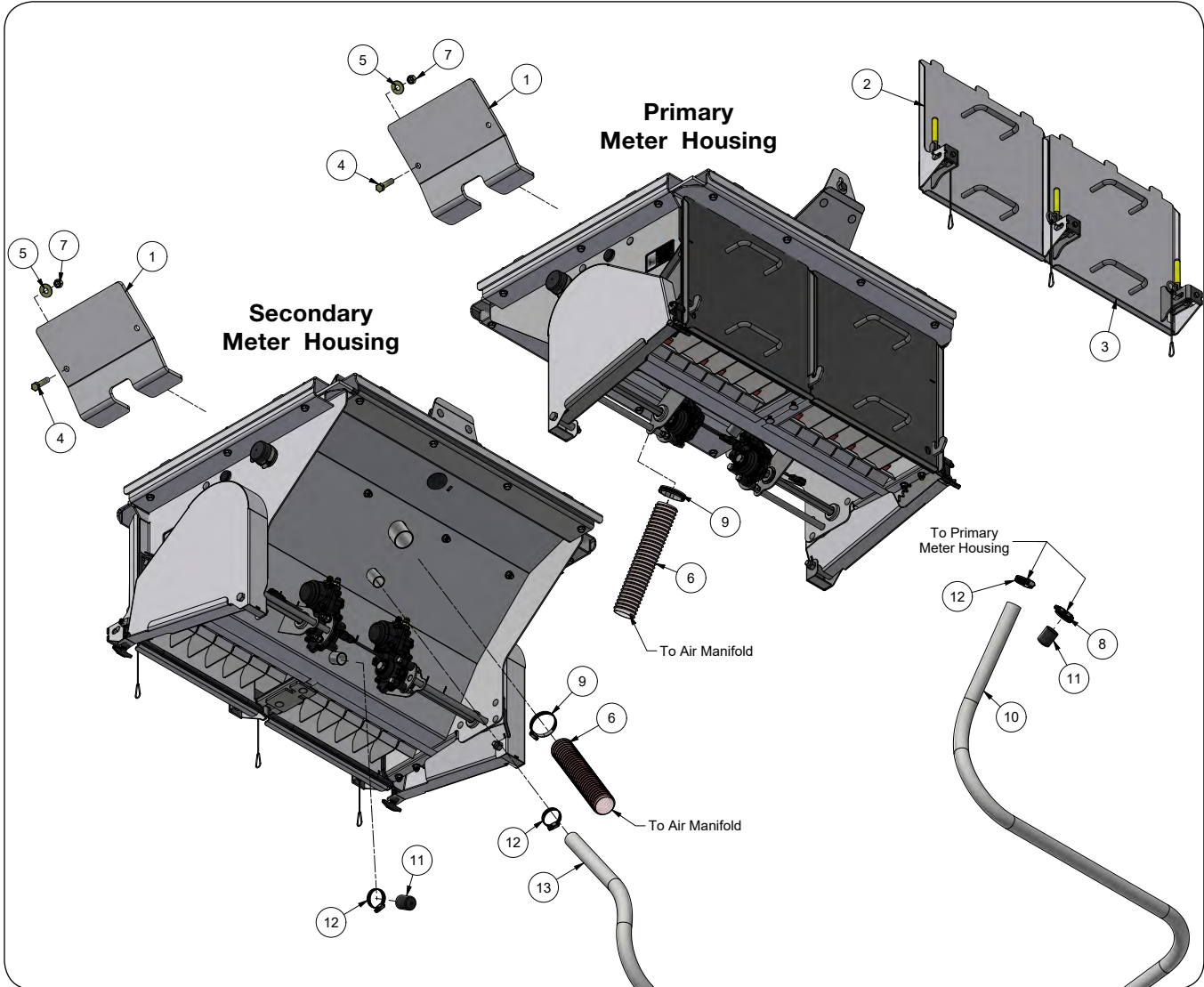
Please visit www.unverferth.com/parts/ for the most current parts listing.

ITEM	PART NO.	DESCRIPTION	QTY	NOTES
1	44539	Plate/Agitator Door Tab (Stainless Steel)	6	
2	44541	Hex Bar Shaft, 18 11/16" (Stainless Steel)	2	
3	44686	Plate/Washer, 1 1/4" OD x 25/32" ID (Stainless Steel)	2	
4	44753	Hex Bar Shaft, 16 1/8" (Stainless Steel)	2	
5	44831	Shield Weldment, Bottom Right-Hand Side (Stainless Steel)	1	
6	44832	Shield Weldment, Bottom Left-Hand Side (Stainless Steel)	1	
7	45048	Meter Wheel =DARK GREY=	6	
8	45112	Tube/Spacer 1" OD x .902" ID x .50" (Stainless Steel)	2	
9	45253	Spur Gear 44 Tooth Weldment (Stainless Steel)	2	
10	45254	Spur Gear 22 Tooth Weldment (Stainless Steel)	3	
11	45269	Shield Weldment, Right-Hand Side (Stainless Steel)	1	
12	45270	Shield Weldment, Left-Hand Side (Stainless Steel)	1	
13	45489	Plate/Agitator Door Bracket, 14 3/8" (Stainless Steel)	2	
14	45491	Agitator Door Weldment (Stainless Steel)	12	
15	45494	Meter Wheel Housing Weldment (Stainless Steel)	2	
16	45558	Tank Weldment (Stainless Steel)	2	
17	47570	Spur Gear Weldment 22 Tooth (Stainless Steel)	1	
18	47601	Bushing, 3/4" Dia. x .4" (Stainless Steel)	4	
19	47695	Plate, 6 1/2" x 6 1/2" (Stainless Steel)	2	
20	47696	Neoprene Seal, 1/8" x 6 5/8" x 6 5/8"	2	
21	47697	Bar, 1 1/4" Dia. x 1.5" Hub w/Hex ID (Stainless Steel)	1	
22	47702	Agitator Weldment (Stainless Steel)	1	
23	9005089	Plug, 1 1/4"	2	
24	9005639	Flange Nut, 5/16"-18UNC (Stainless Steel)	10	
25	9007908-025	Carriage Bolt, 5/16"-18UNC x 1" (Stainless Steel)	6	
26	9007908-051	Carriage Bolt, 3/8"-16UNC x 1" (Stainless Steel)	8	
27	900900-008	Capscrew, 1/4"-20UNC x 1 3/4" (Stainless Steel)	2	
28	900900-032	Capscrew, 5/16"-18UNC x 1 1/2" (Stainless Steel)	6	
29	900900-056	Capscrew, 3/8"-16UNC x 1 1/4" (Stainless Steel)	6	
30	900900-062	Capscrew, 3/8"-16UNC x 2 3/4" (Stainless Steel)	4	
31	900900-109	Capscrew 1/2"-13UNC x 3 1/2" (Stainless Steel)	2	
32	900901-006	Hex Nut, 3/8"-16UNC (Stainless Steel)	6	
33	900902-035	Flat Washer, 5/16" USS (Stainless Steel)	12	
34	900902-037	Flat Washer, 3/8" SAE (Stainless Steel)	8	
35	900903-021	Lock Washer, 3/8" (Stainless Steel)	6	
36	900905-007	Elastic Stop Nut, 1/4"-20UNC (Stainless Steel)	2	
37	900905-010	Elastic Stop Nut, 5/16"-18UNC (Stainless Steel)	6	
38	900905-012	Elastic Stop Nut, 3/8"-16UNC (Stainless Steel)	12	
39	900905-016	Elastic Stop Nut, 1/2"-13UNC (Stainless Steel)	2	
40	9501820	Rubber Latch, 3 13/32" L x 7/8" W	2	
41	9501825	Compression Spring, 3/4" (Stainless Steel)	6	
42	9501827	Bearing, Flanged Radial Hex Bore 3/4"	4	
43	9501948-028	Flange Screw, 5/16"-18UNC x 3/4" (Stainless Steel)	4	
44	9502764	Omnirow Motor/Hydraulic, 2.01 Cu. In./Rev. (1500 PSI)	2	
	9503783	Seal Kit for Omnirow Motor	-	
45	9503237	Bearing, Polymer Flanged Ball Hex Bore 3/4"	4	Serial Number A68760100 & Up
	9501827	Bearing, Flanged Radial Hex Bore 3/4" Corrosion Resistant	6	Serial Number A68760099 & Lower
46	9503494	Hand Grip, 5/16" Dia. X 1"	12	
47	9503526	Round Vinyl Cap	2	
48	9503560	Retaining Ring, 3/4" NOM (Stainless Steel)	2	
49	9503802	Klik Pin, 3/16" Dia. x 1 3/4" (Stainless Steel)	6	
50	9504976	Bearing Assembly w/Triple Lip Seals	2	
51	97422	Plug/Rubber, 1 1/2" Dia.	1	
52	TA800920	Hose Clamp, SC-32 (Stainless Steel)	2	
53	45525	Hex Washer	AR	

12-TON DRY FERTILIZER CART — Parts

Meter Housing Assembly Components For 2.5" Hoses (Part 2)

Please visit www.unverferth.com/parts/ for the most current parts listing.



12-TON DRY FERTILIZER CART — Parts

Meter Housing Assembly Components For 2.5" Hoses (Part 2)

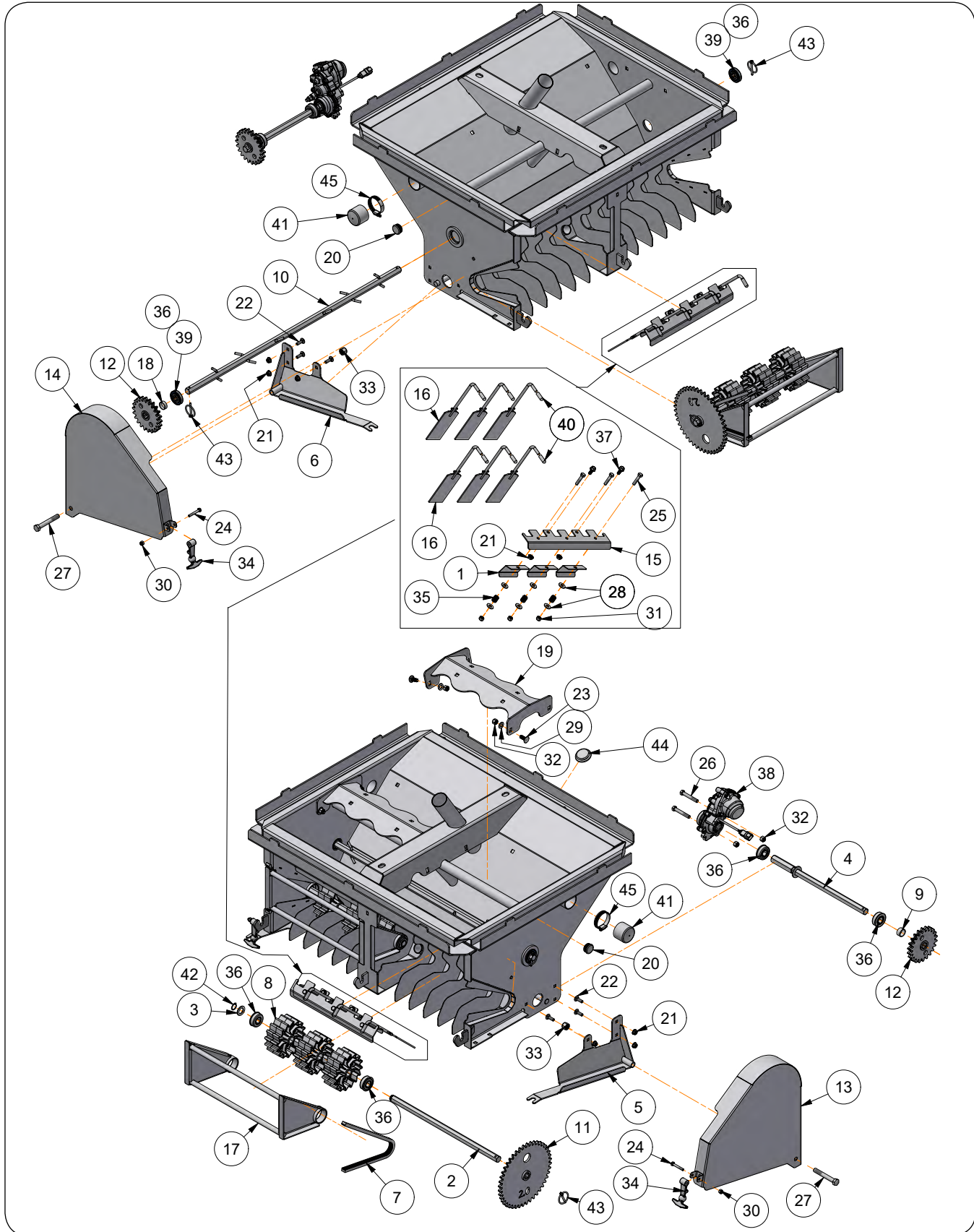
Please visit www.unverferth.com/parts/ for the most current parts listing.

ITEM	PART NO.	DESCRIPTION	QTY	NOTES
1	45476G	Plate =Green=	4	
	45476R	Plate =Red=		
2	46535	Cover Assembly Left-Hand (Stainless Steel)	2	Serial Number A68760100 & Up
3	46536	Cover Assembly Right-Hand (Stainless Steel)	2	Serial Number A68760100 & Up
4	9390-104	Capscrew, 1/2"-13UNC x 2 1/4" G5	8	
5	9405-088	Flat Washer, 1/2" USS	10	
6	9501880	Tank Pressure/Air Seeder Hose, 2" ID x 2.32" OD	AR	Specify in Feet
7	9800	Lock Nut/Top, 1/2"-13UNC	31	
8	TA800916	Hose Clamp, SC-24 (Stainless Steel)	6	
9	TA800922	Worm Drive Hose Clamp, 3/4" to 2 5/8" (Stainless Steel)	4	
10	45576	Suction Hose/Translucent PVC Tube, 1 1/2" OD x 1 1/4" ID x 132"	1	
11	9504123	Vinyl Cap	2	
12	45575	Suction Hose/Translucent PVC Tube, 1 1/2" OD x 1 1/4" ID x 120"	1	

12-TON DRY FERTILIZER CART — Parts

Meter Housing Assembly Components For 2" Hoses (Part 1)

Please visit www.unverferth.com/parts/ for the most current parts listing.



12-TON DRY FERTILIZER CART — Parts

Meter Housing Assembly Components For 2" Hoses (Part 1)

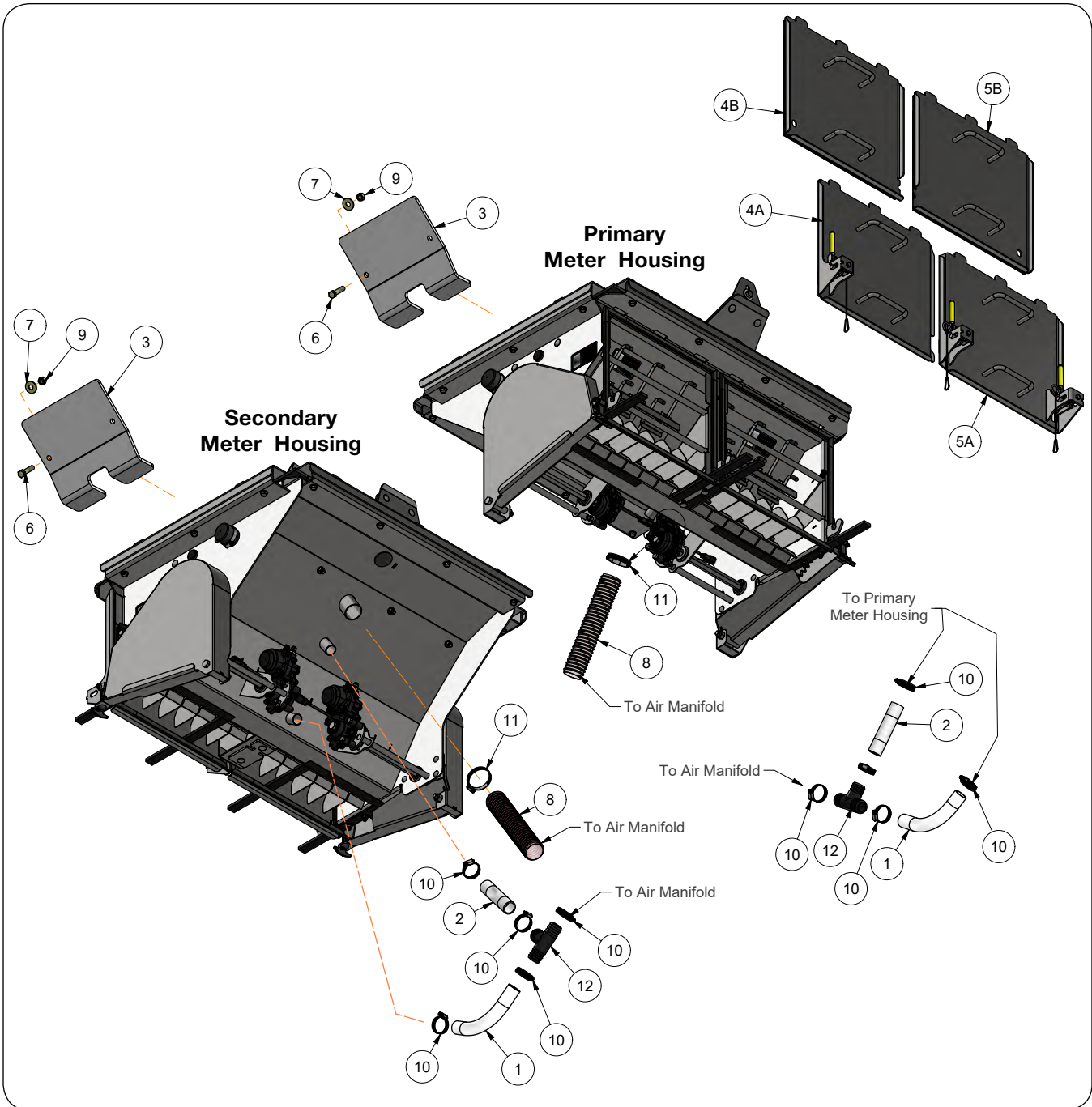
Please visit www.unverferth.com/parts/ for the most current parts listing.

ITEM	PART NO.	DESCRIPTION	QTY	NOTES
1	44539	Plate/Agitator Door Tab (Stainless Steel)	6	
2	44541	Hex Bar Shaft, 18 11/16" (Stainless Steel)	2	
3	44686	Plate/Washer, 1 1/4" OD x 25/32" ID (Stainless Steel)	2	
4	44753	Hex Bar Shaft, 16 1/8" (Stainless Steel)	2	
5	44831	Shield Weldment, Bottom Right-Hand Side (Stainless Steel)	1	
6	44832	Shield Weldment, Bottom Left-Hand Side (Stainless Steel)	1	
7	44895	Rubber Seal, 3/8" x 5/8" x 20"	2	
8	45048	Meter Wheel =DARK GREY=	6	
9	45112	Tube/Spacer 1" OD x .902" ID x .50" (Stainless Steel)	2	
10	45250	Agitator Weldment (Stainless Steel)	1	
11	45253	Spur Gear 44 Tooth Weldment (Stainless Steel)	2	
12	45254	Spur Gear 22 Tooth Weldment (Stainless Steel)	3	
13	45269	Shield Weldment, Right-Hand Side (Stainless Steel)	1	
14	45270	Shield Weldment, Left-Hand Side (Stainless Steel)	1	
15	45489	Plate/Agitator Door Bracket, 14 3/8" (Stainless Steel)	2	
16	45491	Agitator Door Weldment (Stainless Steel)	12	
17	45494	Meter Wheel Housing Weldment (Stainless Steel)	2	
18	45524	Tube/Spacer 1" OD x .902" ID x .37" (Stainless Steel)	1	
19	45558	Tank Weldment (Stainless Steel)	2	
20	9005089	Plug, 1 1/4"	2	
21	9005639	Flange Nut, 5/16"-18UNC (Stainless Steel)	10	
22	9007908-025	Carriage Bolt, 5/16"-18UNC x 1" (Stainless Steel)	6	
23	9007908-051	Carriage Bolt, 3/8"-16UNC x 1" (Stainless Steel)	8	
24	900900-008	Capscrew, 1/4"-20UNC x 1 3/4" (Stainless Steel)	2	
25	900900-032	Capscrew, 5/16"-18UNC x 1 1/2" (Stainless Steel)	6	
26	900900-061	Capscrew, 3/8"-16UNC x 2 1/2" (Stainless Steel)	4	
27	900900-109	Capscrew 1/2"-13UNC x 3 1/2" (Stainless Steel)	2	
28	900902-035	Flat Washer, 5/16" USS (Stainless Steel)	12	
29	900902-037	Flat Washer, 3/8" SAE (Stainless Steel)	8	
30	900905-007	Elastic Stop Nut, 1/4"-20UNC (Stainless Steel)	2	
31	900905-010	Elastic Stop Nut, 5/16"-18UNC (Stainless Steel)	6	
32	900905-012	Elastic Stop Nut, 3/8"-16UNC (Stainless Steel)	12	
33	900905-016	Elastic Stop Nut, 1/2"-13UNC (Stainless Steel)	2	
34	9501820	Rubber Latch, 3 13/32" L x 7/8" W	2	
35	9501825	Compression Spring, 3/4" (Stainless Steel)	6	
36	9503237	Bearing, Polymer Flanged Ball Hex Bore 3/4"	4	Serial Number A68760100 & Up
	9501827	Bearing, Flanged Radial Hex Bore 3/4" Corrosion Resistant	6	Serial Number A68760099 & Lower
37	9501948-028	Flange Screw, 5/16"-18UNC x 3/4" (Stainless Steel)	4	
38	9502764	Omnirow Motor/Hydraulic, 2.01 Cu. In./Rev. (1500 PSI)	2	
	9503783	Seal Kit for Omnirow Motor	-	
39	47262	Bearing, Stainless Steel	2	Serial Number A68760100 & Up
40	9503494	Hand Grip, 5/16" Dia. X 1"	12	
41	9503526	Round Vinyl Cap	2	
42	9503560	Retaining Ring, 3/4" NOM (Stainless Steel)	2	
43	9503802	Klik Pin, 3/16" Dia. x 1 3/4" (Stainless Steel)	6	
44	97422	Plug/Rubber, 1 1/2" Dia.	1	
45	TA800920	Hose Clamp, SC-32 (Stainless Steel)	2	

12-TON DRY FERTILIZER CART — Parts

Meter Housing Assembly Components For 2" Hoses (Part 2)

Please visit www.unverferth.com/parts/ for the most current parts listing.



12-TON DRY FERTILIZER CART — Parts

Meter Housing Assembly Components For 2" Hoses (Part 2)

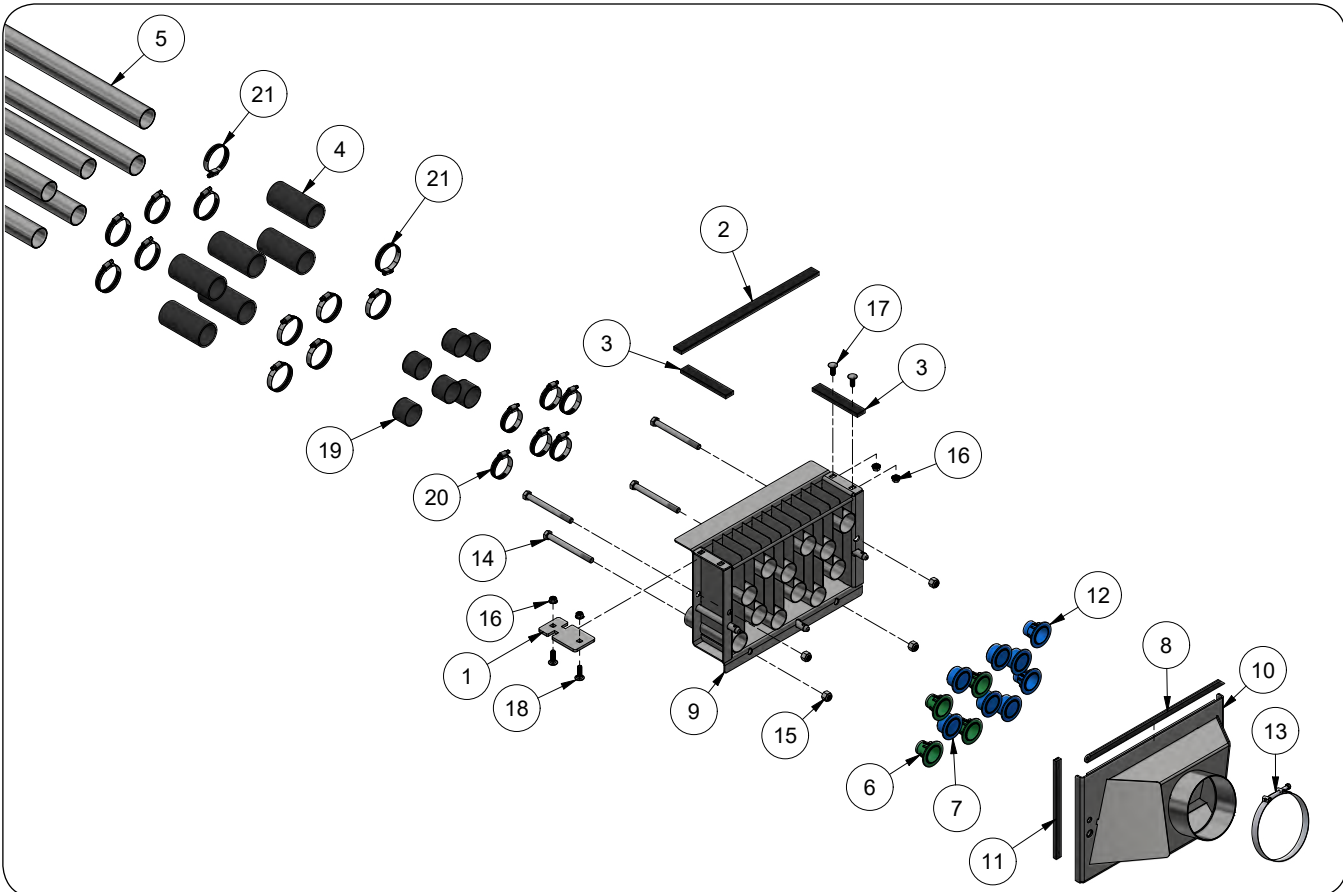
Please visit www.unverferth.com/parts/ for the most current parts listing.

ITEM	PART NO.	DESCRIPTION	QTY	NOTES
1	45011	Suction Hose/Translucent PVC Tube, 1 1/2" OD x 1 1/4" ID x 14"	2	
2	45012	Suction Hose/Translucent PVC Tube, 1 1/2" OD x 1 1/4" ID x 7"	2	
3	45476G	Plate =Green=	4	
	45476R	Plate =Red=		
4A	46535	Cover Assembly Left-Hand (Stainless Steel)	2	Serial Number A68760100 & Up
4B	45530	Cover Assembly Left-Hand (Stainless Steel)		Serial Number A68760099 & Lower
5A	46536	Cover Assembly Right-Hand (Stainless Steel)	2	Serial Number A68760100 & Up
5B	45535	Cover Assembly Right-Hand (Stainless Steel)		Serial Number A68760099 & Lower
6	9390-104	Capscrew, 1/2"-13UNC x 2 1/4" G5	8	
7	9405-088	Flat Washer, 1/2" USS	10	
8	9501880	Tank Pressure/Air Seeder Hose, 2" ID x 2.32" OD	AR	Specify in Feet
9	9800	Lock Nut/Top, 1/2"-13UNC	31	
10	TA800916	Hose Clamp, SC-24 (Stainless Steel)	13	
11	TA800922	Worm Drive Hose Clamp, 3/4" to 2 5/8" (Stainless Steel)	4	
12	TA808850	Hose Barb Tee, 1 1/4" Nylon	2	

12-TON DRY FERTILIZER CART — Parts

Primary Distribution Box Components (2.5" Hoses) Serial Number A68760100 & Up

Please visit www.unverferth.com/parts/ for the most current parts listing.

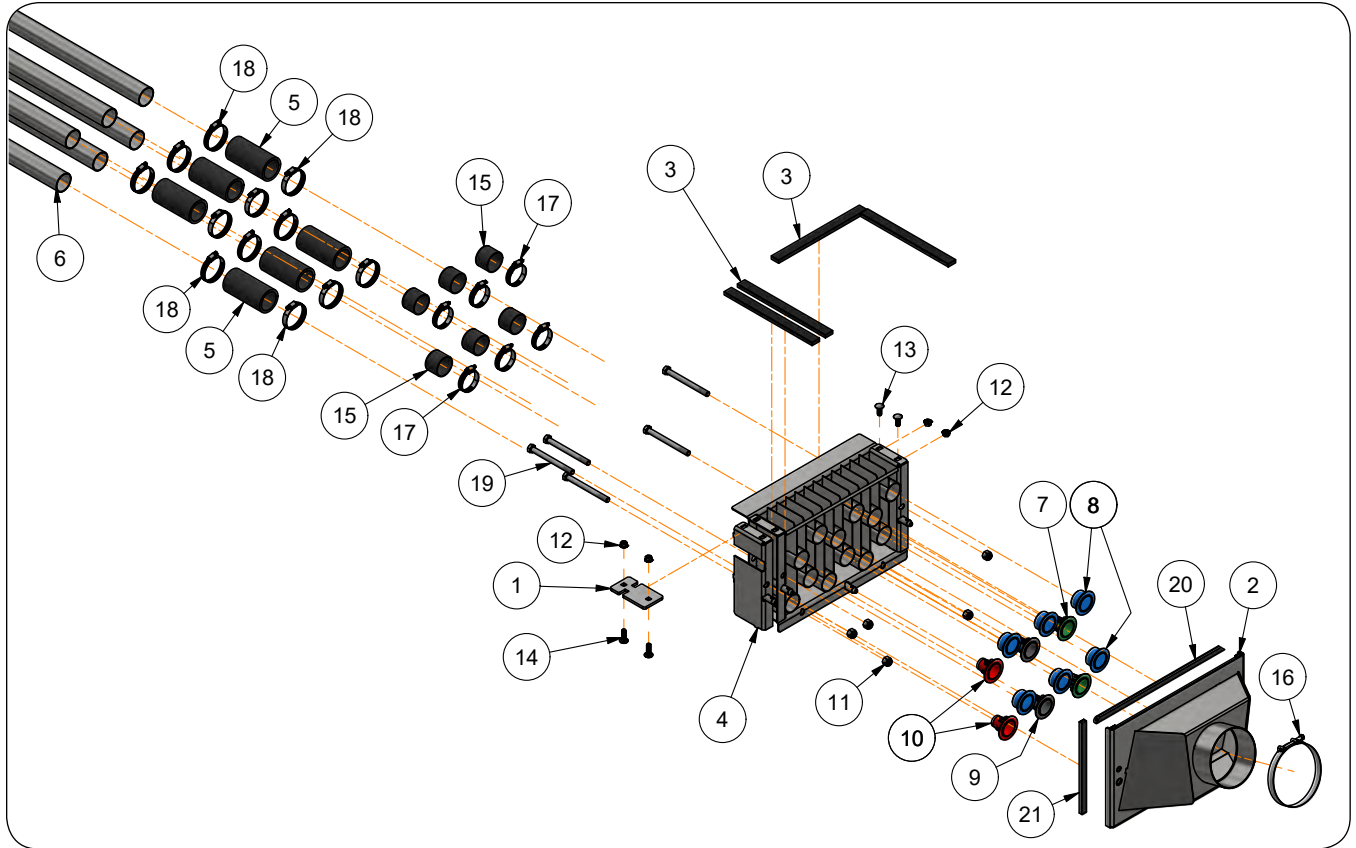


ITEM	PART NO.	DESCRIPTION	QTY	NOTES
1	44724	Plate, 2 5/8" x 4 3/4" (Stainless Steel)	2	
2	902974	Foam Tape EPDM, 1" x 3/8"	AR	Specify in Feet
3	45223	Hose, 2" Dia. x 6"	24	
4	45224	MANIFOLD TUBE	12	
5	45225	Primary Nozzle, 1.75" Dia. x 1.69" =GREEN=	4	
6	45226	Plastic Plug, 1.84" Dia. x 1.16" =BLUE=	12	
7	45629	Rubber Seal EPDM, 1/2" x 1/2" x 17 1/2"	8	
8	46546	Primary Distribution Box Weldment (Stainless Steel)	2	
9	46565	Air Intake Assembly (Stainless Steel)	2	
10	9503524	Rubber Seal EPDM, 3/8" x 5/8"	AR	Specify in Feet
11	47798	Primary Nozzle, 1.75" Dia. x 1.69" =LIGHT BLUE=	4	
12	98060	Clamp/T-Bolt, 6.5" Dia. NOM (Stainless Steel)	2	
13	900900-114	Capscrew, 1/2"-13UNC x 5 1/2" (Stainless Steel)	16	
14	900905-016	Elastic Stop Nut, 1/2"-13UNC (Stainless Steel)	18	
15	9005640	Flange Nut, 3/8"-16UNC (Stainless Steel)	12	
16	9007908-051	Carriage Bolt, 3/8"-16UNC x 1" (Stainless Steel)	8	
17	9007908-052	Carriage Bolt, 3/8"-16UNC x 1 1/4" (Stainless Steel)	4	
18	9503526	Round Vinyl Cap	36	
19	TA800920	Hose Clamp, SC-32 (Stainless Steel)	36	
20	TA800922	Worm Drive Hose Clamp, 3/4" to 2 5/8" (Stainless Steel)	50	

12-TON DRY FERTILIZER CART — Parts

Primary Distribution Box Components (2" Hoses) Serial Number A68760100 & Up

Please visit www.unverferth.com/parts/ for the most current parts listing.

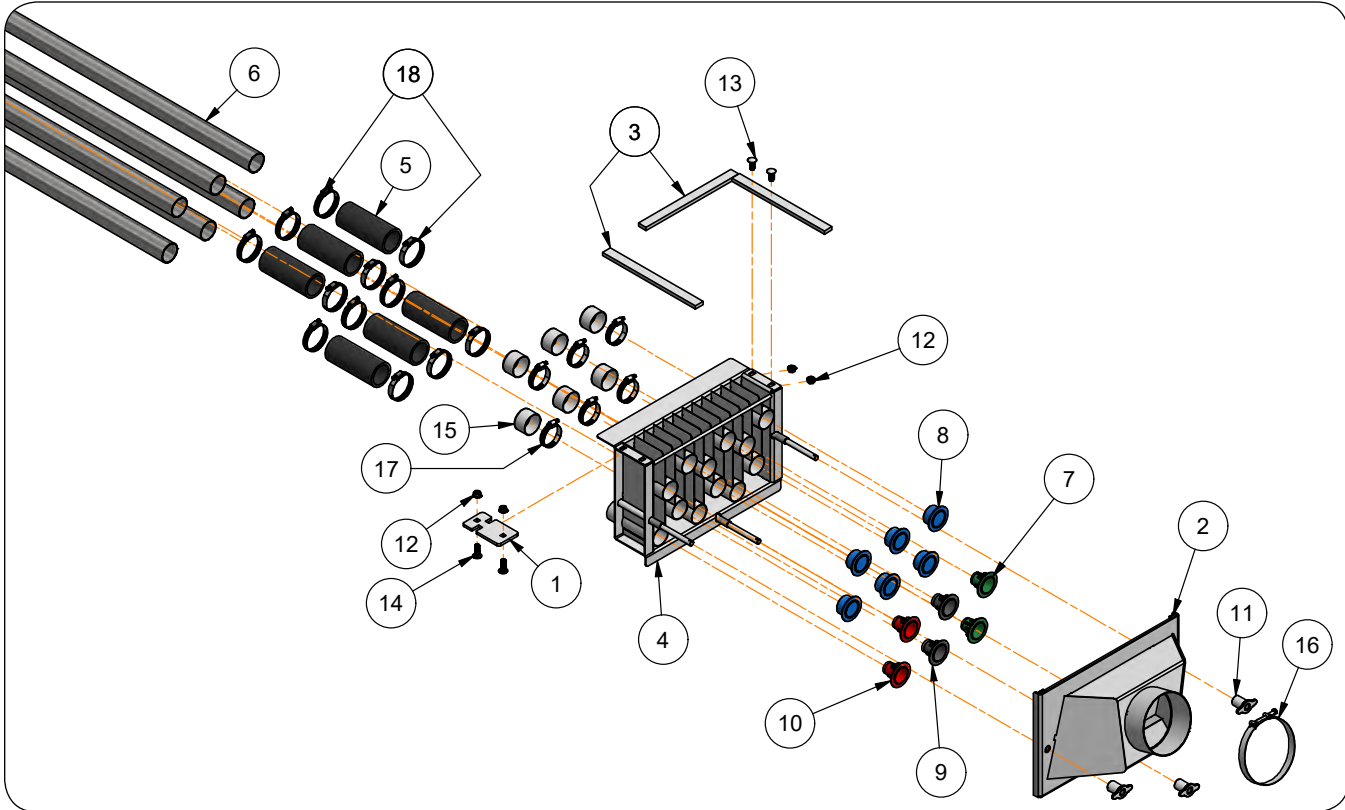


ITEM	PART NO.	DESCRIPTION	QTY	NOTES
1	44724	Plate, 2 5/8" x 4 3/4" (Stainless Steel)	2	
2	46565	Air Intake Assembly (Stainless Steel)	2	
3	902974	Foam Tape EPDM, 1" x 3/8"	AR	Specify in Feet
4	46546	Primary Distribution Box Weldment (Stainless Steel)	2	
5	45223	Hose, 2" Dia. x 6"	24	
6	45224	MANIFOLD TUBE	12	
7	45225	Primary Nozzle, 1.75" Dia. x 1.69" =GREEN=	4	
8	45226	Plastic Plug, 1.84" Dia. x 1.16" =BLUE=	12	
9	45314	Primary Nozzle, 1.75" Dia. x 1.76" =DARK GREY=	4	
10	45353	Primary Nozzle, 1.75" Dia. x 1.84" =RED=	4	
11	900905-016	Elastic Stop Nut, 1/2"-13UNC (Stainless Steel)	18	
12	9005640	Flange Nut, 3/8"-16UNC (Stainless Steel)	12	
13	9007908-051	Carriage Bolt, 3/8"-16UNC x 1" (Stainless Steel)	8	
14	9007908-052	Carriage Bolt, 3/8"-16UNC x 1 1/4" (Stainless Steel)	4	
15	9503526	Round Vinyl Cap	36	
16	98060	Clamp/T-Bolt, 6.5" Dia. NOM (Stainless Steel)	2	
17	TA800920	Hose Clamp, SC-32 (Stainless Steel)	36	
18	TA800922	Worm Drive Hose Clamp, 3/4" to 2 5/8" (Stainless Steel)	50	
19	900900-114	Capscrew, 1/2"-13UNC x 5 1/2" (Stainless Steel)	16	
20	45629	Rubber Seal EPDM, 1/2" x 1/2" x 17 1/2"	8	
21	9503524	Rubber Seal EPDM, 3/8" x 5/8"	AR	Specify in Feet

12-TON DRY FERTILIZER CART — Parts

Primary Distribution Box Components Serial Number A68760099 & Lower

Please visit www.unverferth.com/parts/ for the most current parts listing.

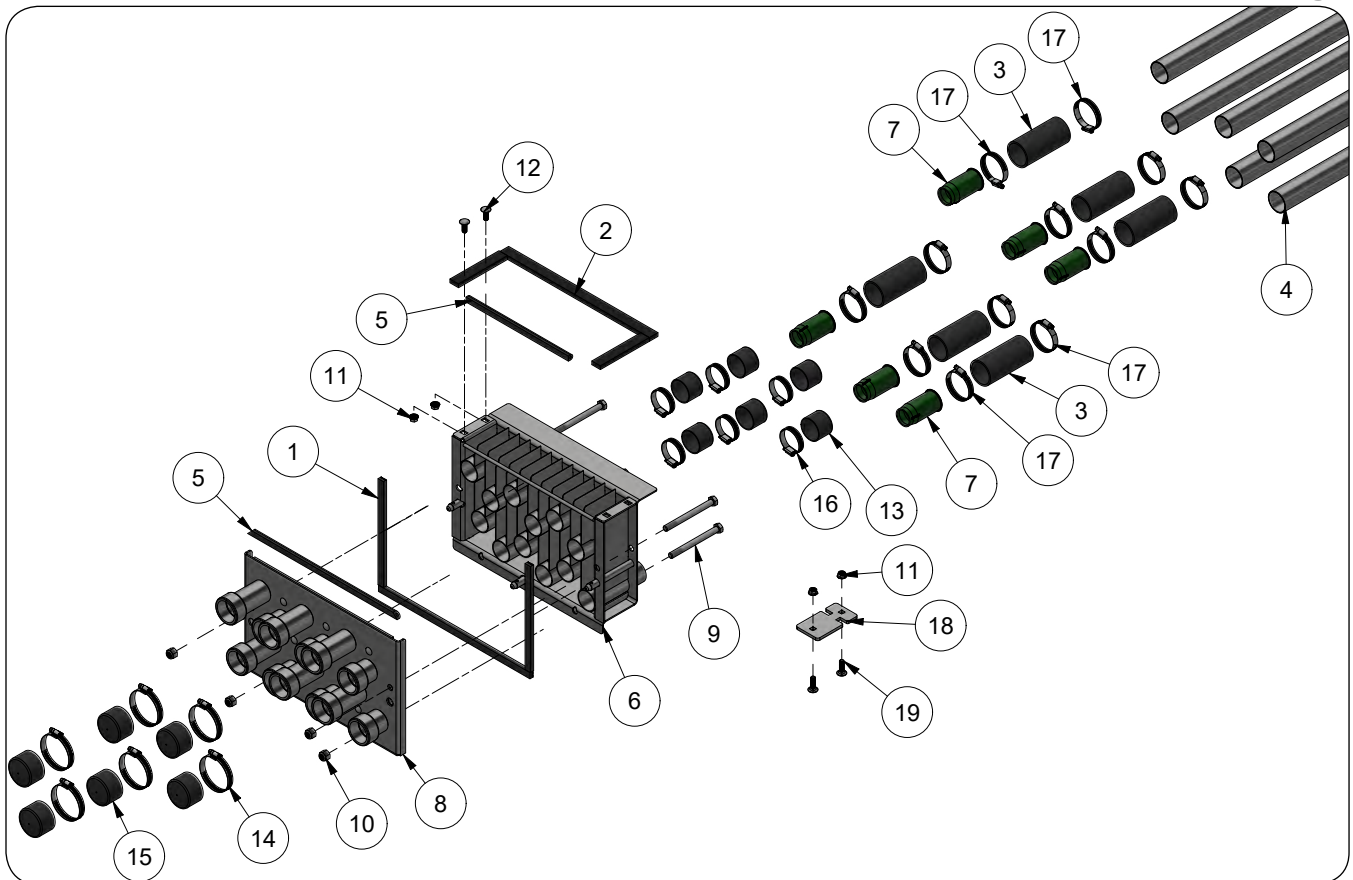


ITEM	PART NO.	DESCRIPTION	QTY	NOTES
1	44724	Plate, 2 5/8" x 4 3/4" (Stainless Steel)	2	
2	44953	Air Intake Assembly (Stainless Steel)	2	
3	902974	Foam Tape EPDM, 1" x 3/8"	AR	Specify in Feet
4	45191	Primary Distribution Box Weldment (Stainless Steel)	2	
5	45223	Hose, 2" Dia. x 6"	24	
6	45224	MANIFOLD TUBE	12	
7	45225	Primary Nozzle, 1.75" Dia. x 1.69" =GREEN=	4	
8	45226	Plastic Plug, 1.84" Dia. x 1.16" =BLUE=	12	
9	45314	Primary Nozzle, 1.75" Dia. x 1.76" =DARK GREY=	4	
10	45353	Primary Nozzle, 1.75" Dia. x 1.84" =RED=	4	
11	45528	Threaded Knob Weldment (Stainless Steel)	18	
12	9005640	Flange Nut, 3/8"-16UNC (Stainless Steel)	12	
13	9007908-051	Carriage Bolt, 3/8"-16UNC x 1" (Stainless Steel)	8	
14	9007908-052	Carriage Bolt, 3/8"-16UNC x 1 1/4" (Stainless Steel)	4	
15	9503526	Round Vinyl Cap	36	
16	98060	Clamp/T-Bolt, 6.5" Dia. NOM (Stainless Steel)	2	
17	TA800920	Hose Clamp, SC-32 (Stainless Steel)	36	
18	TA800922	Worm Drive Hose Clamp, 3/4" to 2 5/8" (Stainless Steel)	50	

12-TON DRY FERTILIZER CART — Parts

Secondary Distribution Box Components (2.5" Hoses) Serial Number A68760100 & UP

Please visit www.unverferth.com/parts/ for the most current parts listing.

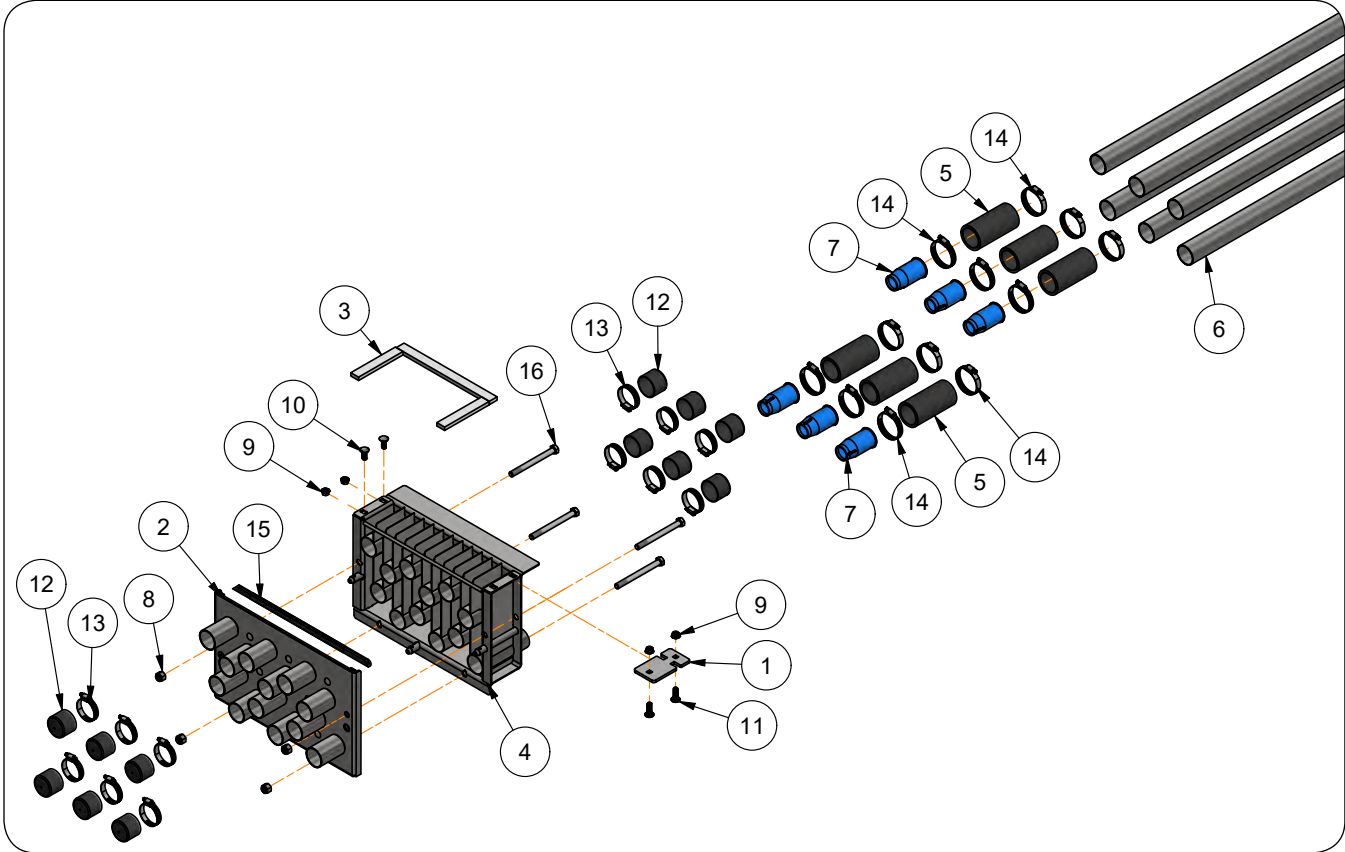


ITEM	PART NO.	DESCRIPTION	QTY	NOTES
1	44951	Rubber Seal EPDM, 3/8" x 5/8" x 10 3/4"	2	
2	902974	Foam Tape EPDM, 1" x 3/8"	AR	Specify in Feet
3	45223	Hose, 2" Dia. x 6"	12	
4	45224	Manifold Tube, 2" OD x 1.87" ID x 59 7/8" (Stainless Steel)	12	
5	45629	Rubber Seal EPDM, 1/2" x 1/2" x 17 1/2"	2	
6	46545	Secondary Distribution Box Weldment (Stainless Steel)	2	
7	47799	Secondary Nozzle, 1.81" Dia. x 3.58 =GREEN=	12	
8	47836	Discharge Cover Assembly (Stainless Steel)	2	
9	900900-114	Capscrew, 1/2"-13UNC x 5 1/2" (Stainless Steel)	8	
10	900905-016	Elastic Stop Nut, 1/2"-13UNC (Stainless Steel)	8	
11	9005640	Flange Nut, 3/8"-16UNC (Stainless Steel)	6	
12	9007908-051	Carriage Bolt, 3/8"-16UNC x 1" (Stainless Steel)	4	
13	9503526	Round Vinyl Cap, 2 1/4" OD x 2" ID x 1 1/2" =BLACK=	12	
14	9504974	Worm Drive Hose Clamp, 1 1/4" to 3 1/4" (Stainless Steel)	12	
15	9504975	Round Vinyl Cap, 2.65" OD x 2.5" ID x 1 1/2" =BLACK=	12	
16	TA800920	Hose Clamp, SC-32 (Stainless Steel)	12	
17	TA800922	Worm Drive Hose Clamp, 3/4" to 2 5/8" (Stainless Steel)	24	
18	44724	Plate, 2 5/8" x 4 3/4" (Stainless Steel)	2	
19	9007908-052	Carriage Bolt, 3/8"-16UNC x 1 1/4" (Stainless Steel)	4	

12-TON DRY FERTILIZER CART — Parts

Secondary Distribution Box Components (2" Hoses) Serial Number A68760100 & UP

Please visit www.unverferth.com/parts/ for the most current parts listing.

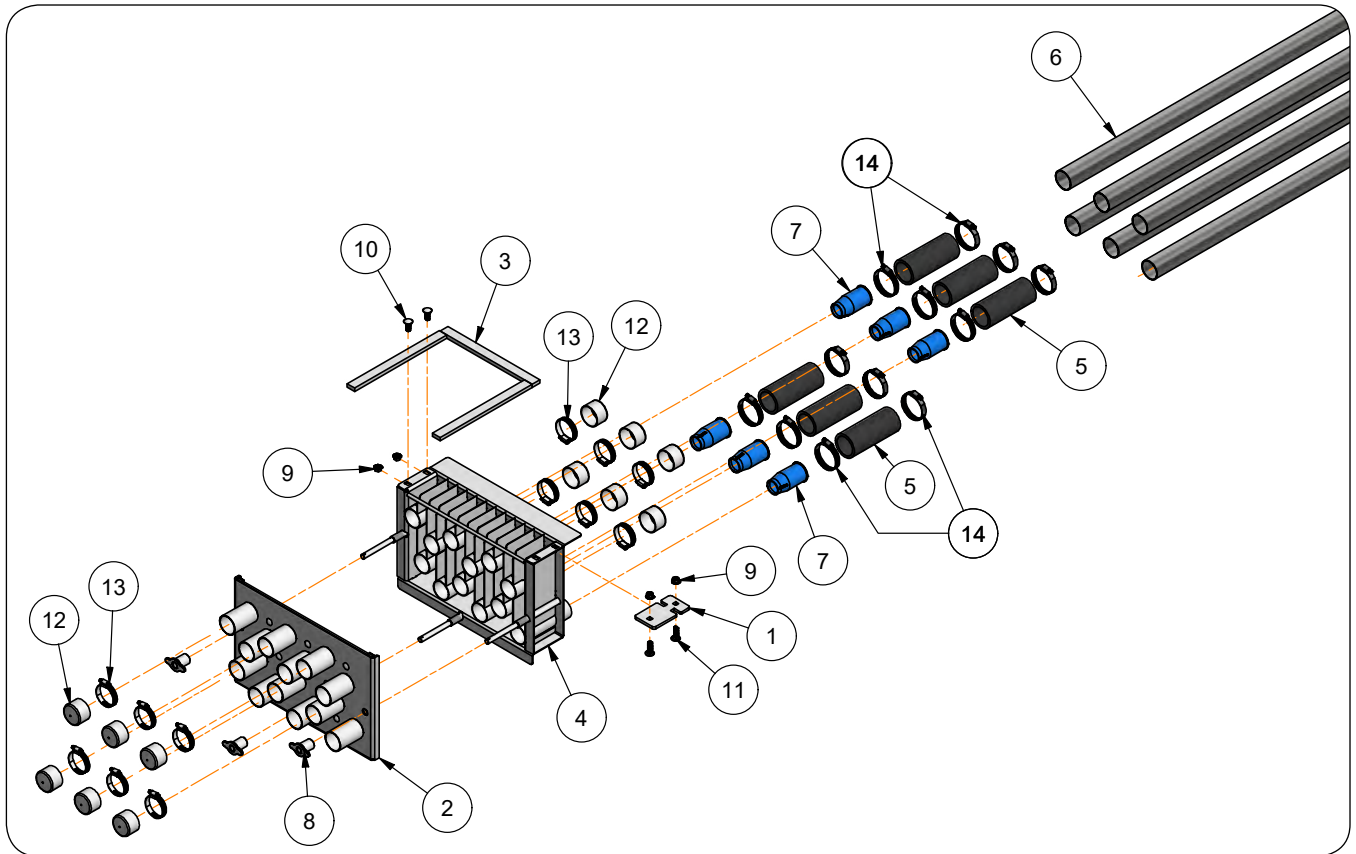


ITEM	PART NO.	DESCRIPTION	QTY	NOTES
1	44724	Plate, 2 5/8" x 4 3/4" (Stainless Steel)	2	
2	46559	Discharge Cover Assembly (Stainless Steel)	2	
3	902974	Foam Tape EPDM, 1" x 3/8"	AR	Specify in Feet
4	46546	Secondary Distribution Box Weldment (Stainless Steel)	2	
5	45223	Hose, 2" Dia. x 6"	12	
6	45224	Manifold Tube, 2" OD x 1.87" ID x 59 7/8" (Stainless Steel)	12	
7	45227	Secondary Nozzle, 1.84" Dia. x 3.58 =BLUE=	12	
8	900905-016	Elastic Stop Nut, 1/2"-13UNC (Stainless Steel)	8	
9	9005640	Flange Nut, 3/8"-16UNC (Stainless Steel)	6	
10	9007908-051	Carriage Bolt, 3/8"-16UNC x 1" (Stainless Steel)	4	
11	9007908-052	Carriage Bolt, 3/8"-16UNC x 1 1/4" (Stainless Steel)	4	
12	9503526	Round Vinyl Cap	24	
13	TA800920	Hose Clamp, SC-32 (Stainless Steel)	24	
14	TA800922	Worm Drive Hose Clamp, 3/4" to 2 5/8" (Stainless Steel)	24	
15	45629	Rubber Seal EPDM, 1/2" x 1/2" x 17 1/2"	2	
16	900900-114	Capscrew, 1/2"-13UNC x 5 1/2" (Stainless Steel)	8	

12-TON DRY FERTILIZER CART — Parts

Secondary Distribution Box Components Serial Number A68760099 & Lower

Please visit www.unverferth.com/parts/ for the most current parts listing.

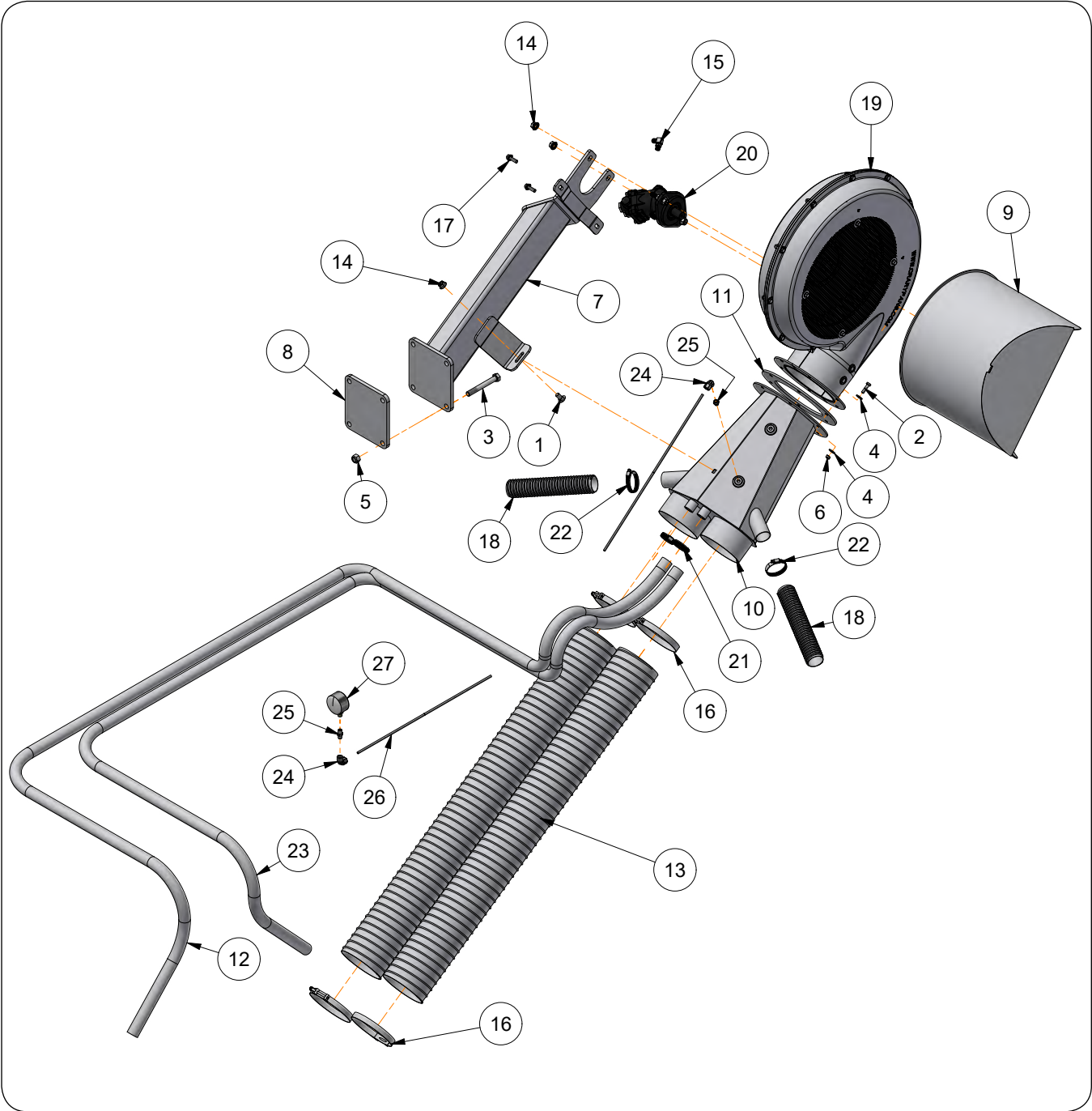


ITEM	PART NO.	DESCRIPTION	QTY	NOTES
1	44724	Plate, 2 5/8" x 4 3/4" (Stainless Steel)	2	
2	44952	Discharge Cover Assembly (Stainless Steel)	2	
3	902974	Foam Tape EPDM, 1" x 3/8"	AR	Specify in Feet
4	45190	Secondary Distribution Box Weldment (Stainless Steel)	2	
5	45223	Hose, 2" Dia. x 6"	24	
6	45224	Manifold Tube, 2" OD x 1.87" ID x 59 7/8" (Stainless Steel)	12	
7	45227	Secondary Nozzle, 1.84" Dia. x 3.58" =BLUE=	12	
8	45528	Threaded Knob Weldment (Stainless Steel)	18	
9	9005640	Flange Nut, 3/8"-16UNC (Stainless Steel)	12	
10	9007908-051	Carriage Bolt, 3/8"-16UNC x 1" (Stainless Steel)	8	
11	9007908-052	Carriage Bolt, 3/8"-16UNC x 1 1/4" (Stainless Steel)	4	
12	9503526	Round Vinyl Cap	36	
13	TA800920	Hose Clamp, SC-32 (Stainless Steel)	36	
14	TA800922	Worm Drive Hose Clamp, 3/4" to 2 5/8" (Stainless Steel)	50	

12-TON DRY FERTILIZER CART — Parts

Fan, Air Manifold, and Hoses Components

Please visit www.unverferth.com/parts/ for the most current parts listing.



12-TON DRY FERTILIZER CART — Parts

Fan, Air Manifold, and Hoses Components

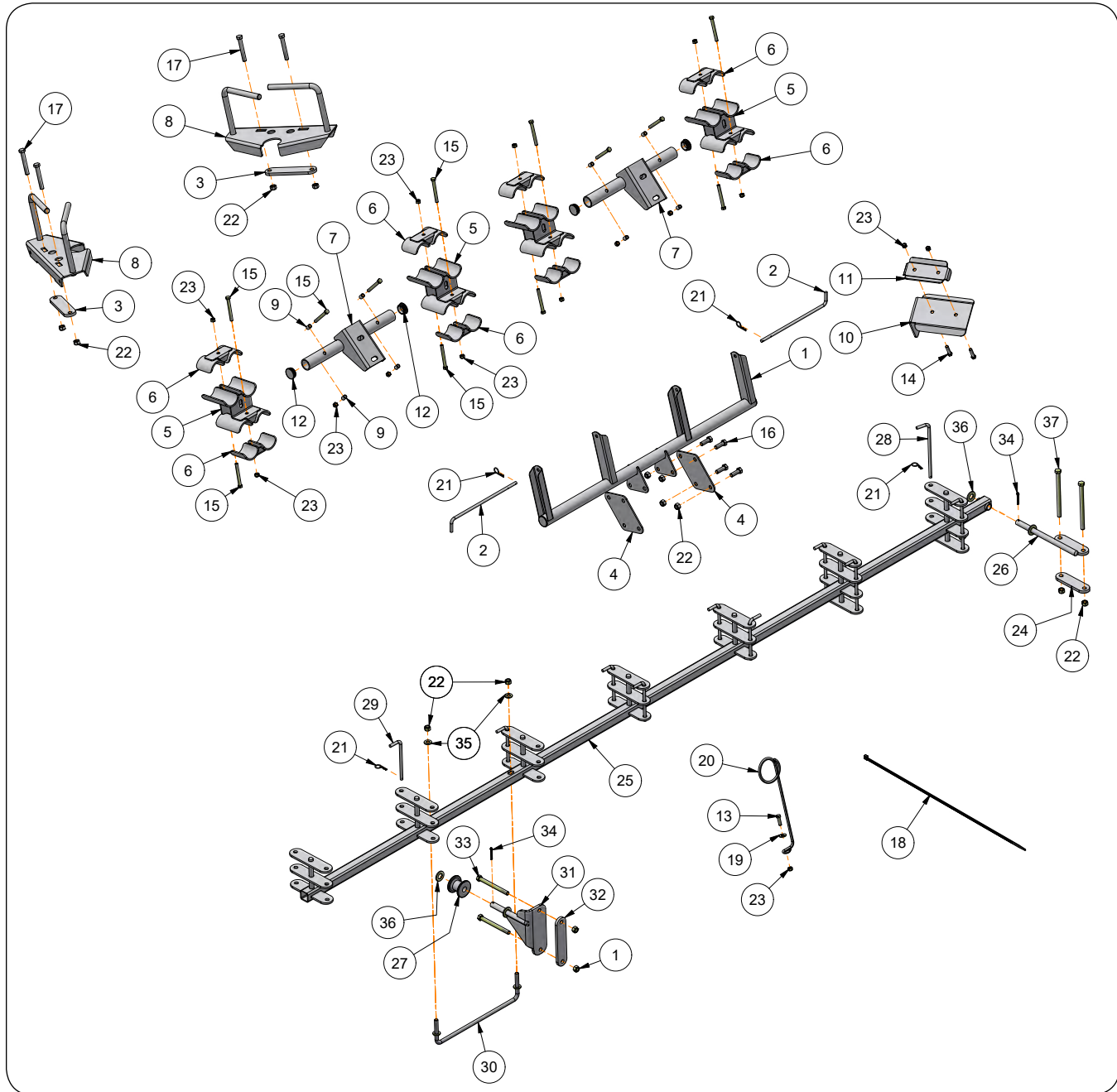
Please visit www.unverferth.com/parts/ for the most current parts listing.

ITEM	PART NO.	DESCRIPTION	QTY	NOTES
1	9388-102	Carriage Bolt, 1/2"-13UNC x 1" G5	1	
2	9390-031	Capscrew, 5/16"-18UNC x 1 1/4" G5	6	
3	9390-134	Capscrew, 5/8"-11UNC x 5" G5	4	
4	9405-070	Flat Washer, 5/16" USS	12	
5	9801	Lock Nut/Top, 5/8"-11UNC	4	
6	9807	Lock Nut/Top, 5/16"-18UNC	6	
7	45210G	Fan Support Arm Weldment =GREEN=	1	
8	45212B	Support Plate, 7 1/2" x 8 3/16" =BLACK=	1	
9	46592B	Fan Hood Weldment =BLACK=	1	
10	45540B	Air Manifold =BLACK=	1	
11	45544	Neoprene Gasket, 1/4" x 11 1/2" OD x 7 1/2" ID	1	
12	45576	PVC Translucent Suction Hose 1 1/4" ID x 1 1/2" OD x 180"	1	For Secondary Meter Housing Front Bin
13	45648	Air Hose, 6" ID x 52"	2	
14	91267	Flange Nut, 1/2"-13UNC	3	
15	97445	90° Elbow, 9/16"-18 JIC Male x 9/16"-18 O-Ring Male	1	
16	98060	Clamp/T-Bolt, 6.5" Dia. NOM (Stainless Steel)	4	
17	9003259	Flange Screw, 3/8"-16UNC x 1 1/4" G5	2	
18	9501880	Tank Pressure/Air Seeder Hose, 2" ID x 2.32" OD	AR	Specify in Feet
19	9503800	Aluminum Fan 8", Flange Outlet With Motor	1	Includes Item 20
20	9503799	Motor/Hydraulic, 18CC Bent Axis Piston	1	
	9502586	Motor Seal Kit		
21	TA800916	Hose Clamp, SC-24 (Stainless Steel)	2	
22	TA800922	Worm Drive Hose Clamp, 3/4" to 2 5/8" (Stainless Steel)	2	
23	45575	PVC Translucent Suction Hose 1 1/4" ID x 1 1/2" OD x 168"	1	For Primary Meter Housing Rear Bin
24	TA720812	90° Elbow, 1/4" FPT x 1/4" Tube	2	
25	TA809325	Hex Pipe Nipple, 1/4"	2	
26	45574	Gauge Tubing 1/4" Dia. x 204"	1	
27	9502437	Pressure Gauge, 0-60" Water	1	

12-TON DRY FERTILIZER CART — Parts

Fertilizer Hose Support Components (2.5" Hoses) Serial Number A70040100 & Up

Please visit www.unverferth.com/parts/ for the most current parts listing.



12-TON DRY FERTILIZER CART — Parts

Fertilizer Hose Support Components (2.5" Hoses) Serial Number A70040100 & Up

Please visit www.unverferth.com/parts/ for the most current parts listing.

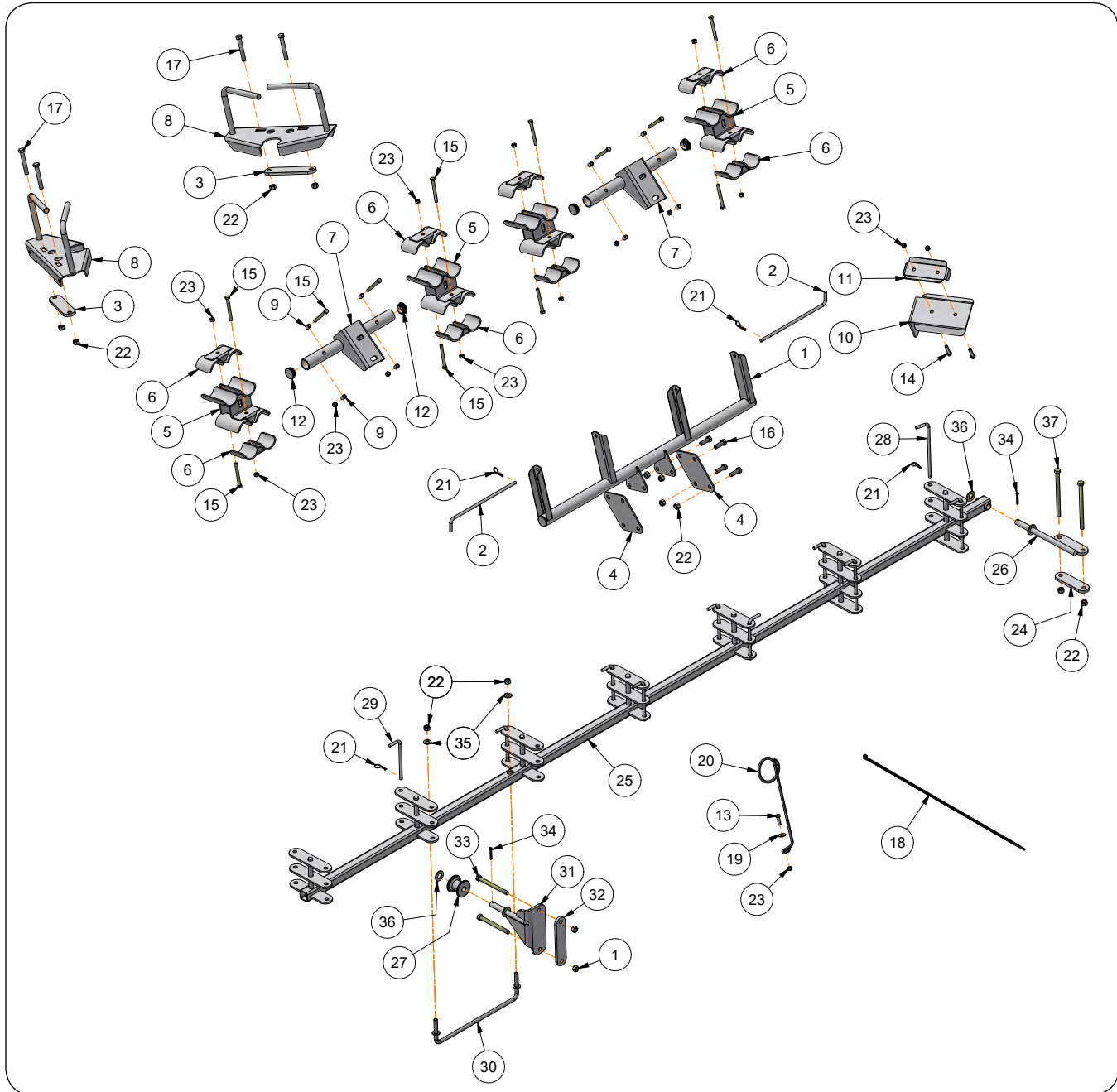
ITEM	PART NO.	DESCRIPTION	QTY	NOTES
1	9390-056	Capscrew, 3/8"-16UNC x 1 1/4" G5	12	
2	9390-059	Capscrew, 3/8"-16UNC x 2" G5	2	
3	9390-065	Capscrew, 3/8"-16UNC x 3 1/2" G5	12	
4	9390-068	Capscrew, 3/8"-16UNC x 4 1/2" G5	8	
5	9390-101	Capscrew, 1/2"-13UNC x 1 1/2" G5	12	
6	9390-103	Capscrew, 1/2"-13UNC x 2" G5	1	
7	9390-109	Capscrew, 1/2"-13UNC x 3 1/2" G5	4	
8	9390-114	Capscrew, 1/2"-13UNC x 5 1/2" G5	4	
9	9390-118	Capscrew, 1/2"-13UNC x 7 1/2" G5	4	
10	9391-044	Cotter Pin, 3/16" Dia. x 1 1/2"	4	
11	9405-076	Flat Washer, 3/8" USS	12	
12	9405-086	Flat Washer, 1/2" SAE	6	
13	9405-104	Flat Washer, 3/4" SAE	4	
14	9514	Hairpin Cotter, .092" Dia. x 1 7/8"	28	
15	9800	Lock Nut/Top, 1/2"-13UNC	29	
16	9928	Lock Nut/Top, 3/8"-16UNC	26	
17	45030B	Fertilizer Hose Large Support Weldment	1	
18	45044	Bent Pin, 3/8" Dia. x 14 15/32" (13" Long)	2	
19	45762B	Plate/Strap, 3/8" x 1 3/4" x 6"	2	
20	45998B	Plate/Strap, 3/8" x 1 3/4" x 7 3/4"	2	
21	46033B	Spacer Plate, 7GA. x 5 1/2" x 6 1/2"	2	
22	46735B	Pivot Weldment =Black=	2	
23	46737	Poly Roller, 2 1/2" Dia. x 2 1/8" (White)	2	
24	46745	Hose Holder Weldment, 4 3/8" x 17 1/16"	2	
25	46755B	Fertilizer Hose Support Weldment =Black=	2	
26	46768B	Hose Holder Bracket Weldment =Black=	2	
27	46770B	Pivot Weldment =Black=	2	
28	46771B	Plate/Strap, 3/8" x 1 3/4" x 8" =Black=	2	
29	46772	Tube, 1/2" OD x 0.384" ID x 0.68	8	
30	47840B	Hose Holder Weldment, Upper =Black=	2	
31	47843	Bent Pin, 3/8" Dia. x 11" Long	8	
32	47844	Bent Pin, 3/8" Dia. x 8" Long	18	
33	47850B	Clamp Half Weldment, Middle Section =Black=	4	
34	47851B	Clamp Half Weldment, Top and Bottom Section =Black=	8	
35	94038	Cable Tie, 32"	4	
36	604394B	Plate, 7GA. x 6 1/8" x 13 5/32" =Black=	1	
37	604395B	Plate/Clamp, 10 GA. x 3 21/32" x 7 7/16" =Black=	1	
38	9007071	Plug, 1 5/8" Dia.	4	
39	9505016B	Hose Holder, 5/16" Dia.	12	

12-TON DRY FERTILIZER CART — Parts

Fertilizer Hose Support Components (2" Hoses)

Serial Number A70040100 & Up

Please visit www.unverferth.com/parts/ for the most current parts listing.



12-TON DRY FERTILIZER CART — Parts

Fertilizer Hose Support Components (2" Hoses) Serial Number A70040100 & Up

Please visit www.unverferth.com/parts/ for the most current parts listing.

ITEM	PART NO.	DESCRIPTION	QTY	NOTES
1	45030B	Fertilizer Hose Large Support Weldment	1	
2	45044	Bent Pin, 3/8" Dia. x 14 15/32" (13" Long)	2	
3	45998B	Plate/Strap, 3/8" x 1 3/4" x 7 3/4"	2	
4	46033B	Spacer Plate, 7GA. x 5 1/2" x 6 1/2"	2	
5	46749B	Clamp Half Weldment, Middle Section =Black=	4	
6	46750B	Clamp Half Weldment, Top and Bottom Section =Black=	8	
7	46755B	Fertilizer Hose Support Weldment =Black=	2	
8	46768B	Hose Holder Bracket Weldment =Black=	2	
9	46772	Tube, 1/2" OD x 0.384" ID x 0.68	8	
10	604394B	Plate, 7GA. x 6 1/8" x 13 5/32" =Black=	1	
11	604395B	Plate/Clamp, 10 GA. x 3 21/32" x 7 7/16" =Black=	1	
12	9007071	Plug, 1 5/8" Dia.	4	
13	9390-056	Capscrew, 3/8"-16UNC x 1 1/4" G5	12	
14	9390-059	Capscrew, 3/8"-16UNC x 2" G5	2	
15	9390-065	Capscrew, 3/8"-16UNC x 3 1/2" G5	12	
16	9390-101	Capscrew, 1/2"-13UNC x 1 1/2" G5	12	
17	9390-109	Capscrew, 1/2"-13UNC x 3 1/2" G5	4	
18	94038	Cable Tie, 32"	4	
19	9405-076	Flat Washer, 3/8" USS	12	
20	9504151B	Hose Holder, 5/16" Dia.	12	
21	9514	Hairpin Cotter, .092" Dia. x 1 7/8"	28	
22	9800	Lock Nut/Top, 1/2"-13UNC	29	
23	9928	Lock Nut/Top, 3/8"-16UNC	26	
24	45762B	Plate/Strap, 3/8" x 1 3/4" x 6"	2	
25	46730B	Hose Holder Weldment, Upper =Black=	2	
26	46735B	Pivot Weldment =Black=	2	
27	46737	Poly Roller, 2 1/2' Dia. x 2 1/8" (White)	2	
28	46742	Bent Pin, 3/8" Dia. x 10 23/32" (9 1/4" Long)	8	
29	46743	Bent Pin, 3/8" Dia. x 8 7/32" (6 3/4")	18	
30	46745	Hose Holder Weldment, 4 3/8" x 17 1/16"	2	
31	46770B	Pivot Weldment =Black=	2	
32	46771B	Plate/Strap, 3/8" x 1 3/4" x 8" =Black=	2	
33	9390-114	Capscrew, 1/2"-13UNC x 5 1/2" G5	4	
34	9391-044	Cotter Pin, 3/16" Dia. x 1 1/2"	4	
35	9405-086	Flat Washer, 1/2" SAE	6	
36	9405-104	Flat Washer, 3/4" SAE	4	
37	9390-118	Capscrew, 1/2"-13UNC x 7 1/2" G5	4	

12-TON DRY FERTILIZER CART — Parts

Dry Fertilizer Diffuser and Row Blockage Components

Please visit www.unverferth.com/parts/ for the most current parts listing.



12-TON DRY FERTILIZER CART — Parts

Dry Fertilizer Diffuser and Row Blockage Components

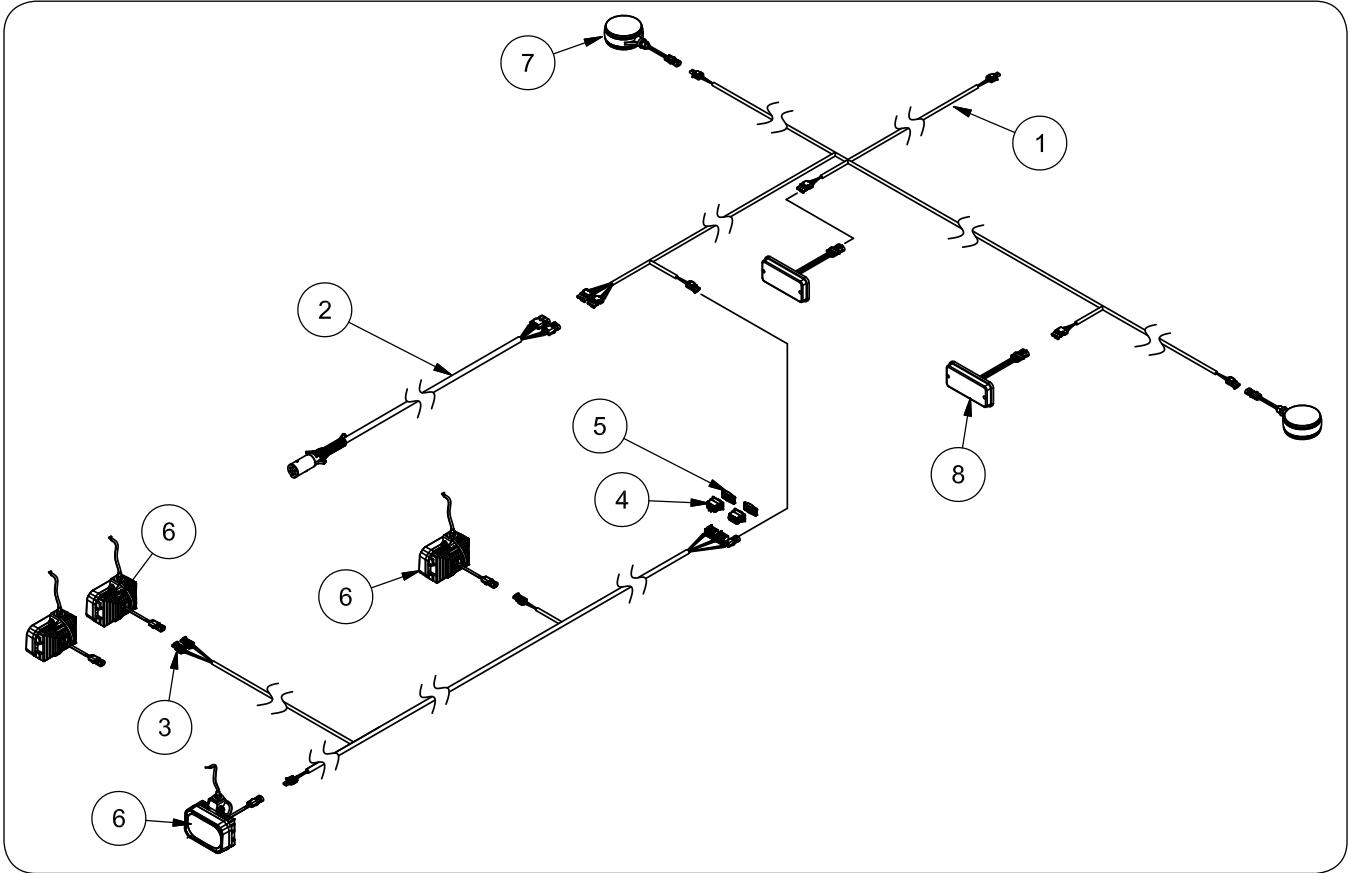
Please visit www.unverferth.com/parts/ for the most current parts listing.

ITEM	PART NO.	DESCRIPTION	QTY	NOTES
1	46622	Dry Fertilizer Tube Weldment	1	
2	45600	Air Diffuser Weldment (Stainless Steel) for 2" ID Hose	1	
3	45609	Suction Hose/Translucent PVC, 1 1/2" ID x 1 13/16" OD x 13"	1	
4	9501880	Air Seeder Hose/Flexible Translucent PVC 2" ID x 2.32" OD	AR	Specify in Feet
5	9003869	Hand Grip, 3/8" Dia. x 2 3/4"	1	
6	9004071	Plug, 1" Square	1	
7	900900-028	Capscrew, 5/16"-18UNC x 3/4" (Stainless Steel)	2	
8	900905-010	Elastic Stop Nut, 5/16"-18UNC (Stainless Steel)	4	
9	91183	Clevis Pin, 1/2" Dia. x 5"	1	
10	9390-102	Capscrew, 1/2"-13UNC x 1 3/4" G5	1	
11	94037	Cable Tie, 15 1/2"	1	
12	9503901	Metal Cable Clamp	1	
13	95959	Hairpin Cotter, 5/32" Dia. X 2 15/16"	1	
14	9800	Lock Nut/Top, 1/2"-13UNC	1	
15	TA800920	Hose Clamp, SC-32 (Stainless Steel)	1	
16	TA800922	Worm Drive Hose Clamp, 3/4" to 2 5/8" (Stainless Steel)	3	
17	9503822	Visum Fertilizer Sensor	1	
	9503825	Visum Monitor	AR	
18	9503824	Visum Coupler 1.75" ID	2	
19	9503826	Hose Clamp , 1 1/2" to 2 1/2" (Stainless Steel)	4	
20	46608	Dry Fertilizer Tube Weldment Lower (Stainless Steel)	1	
21	900900-030	Capscrew, 5/16"-18UNC x 1" (Stainless Steel)	2	
22	46582	Dry Fertilizer Tube LH Weldment (Stainless Steel)	1	Used On Center Row Only
23	46583	Dry Fertilizer Tube RH Weldment (Stainless Steel)	1	Used On Center Row Only
24	47718	Air Diffuser Weldment (Stainless Steel) for 2 1/2" ID Hose	1	
25	47877	Deflector Plate (Stainless Steel)	1	
26	9504977	Worm Drive Hose Clamp, 2 1/4" to 4 1/4" (Stainless Steel)	2	
27	9504973	Air Seeder Hose/Flexible Translucent PVC 3" ID x 3.64" OD	AR	Specify Length in Feet
	9504780	Air Seeder Hose/Flexible Translucent PVC 2 1/2" ID x 2.99" OD	AR	Specify Length in Feet

12-TON DRY FERTILIZER CART — Parts

Electrical Components

Please visit www.unverferth.com/parts/ for the most current parts listing.



12-TON DRY FERTILIZER CART — Parts

Electrical Components

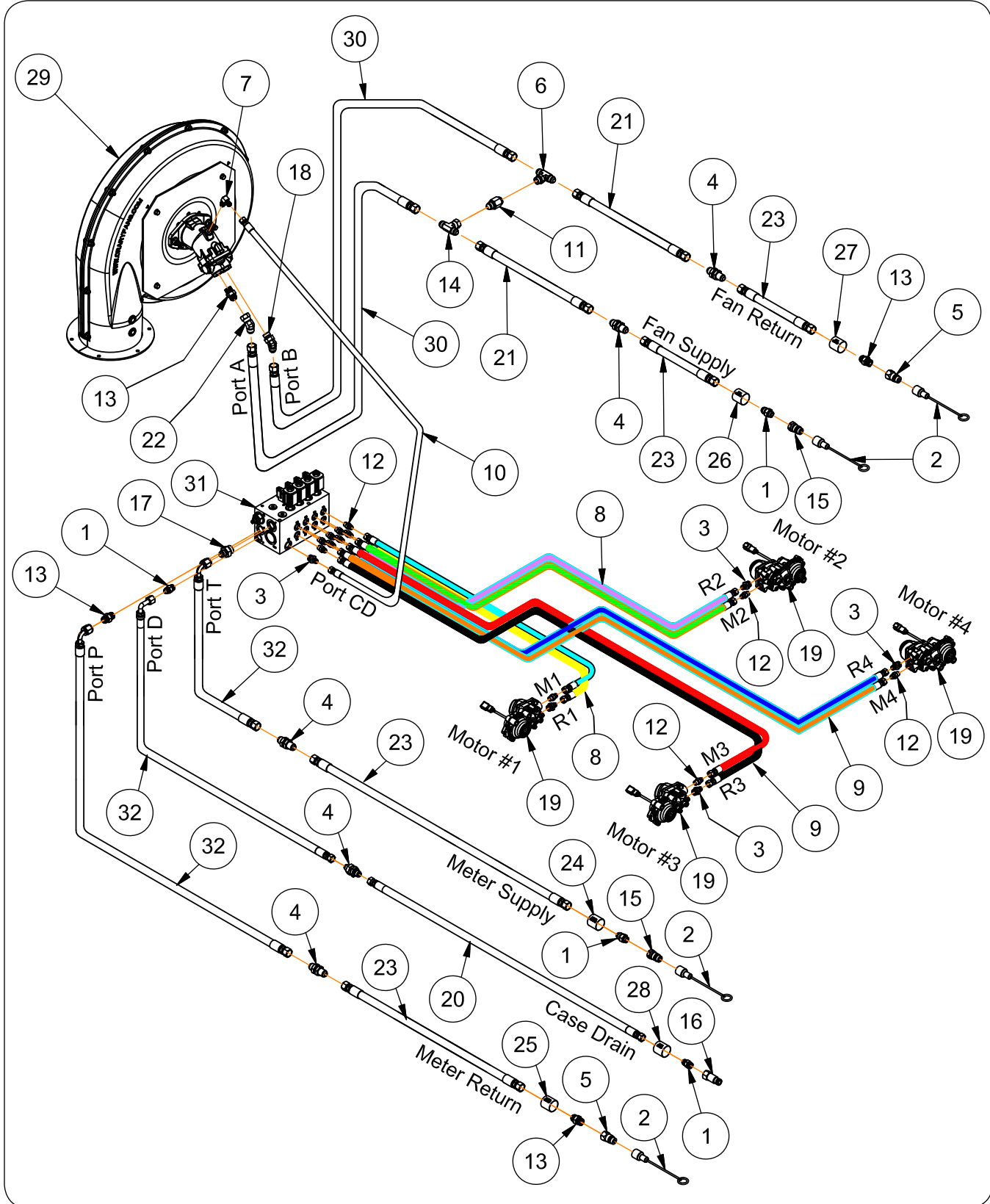
Please visit www.unverferth.com/parts/ for the most current parts listing.

ITEM	PART NO.	DESCRIPTION	QTY	NOTES
1	44999	Light, Wiring Harness, 418"	1	
2	45000	Main, Wiring Harness, 480"	1	
3	45001	Work Lights, Wiring Harness, 318"	1	
4	9500977	Switch	2	
5	9500978	Switch Actuator	2	
6	301213	Work Light Replacement Kit	4	
7	9005142	AMBER Lamp, LED Double Face	2	
8	9006282	RED Light, Tail/Turn	2	

12-TON DRY FERTILIZER CART — Parts

Hydraulic Components — Serial Number A68760100 & Up

Please visit www.unverferth.com/parts/ for the most current parts listing.



12-TON DRY FERTILIZER CART — Parts

Hydraulic Components — Serial Number A68760100 & Up

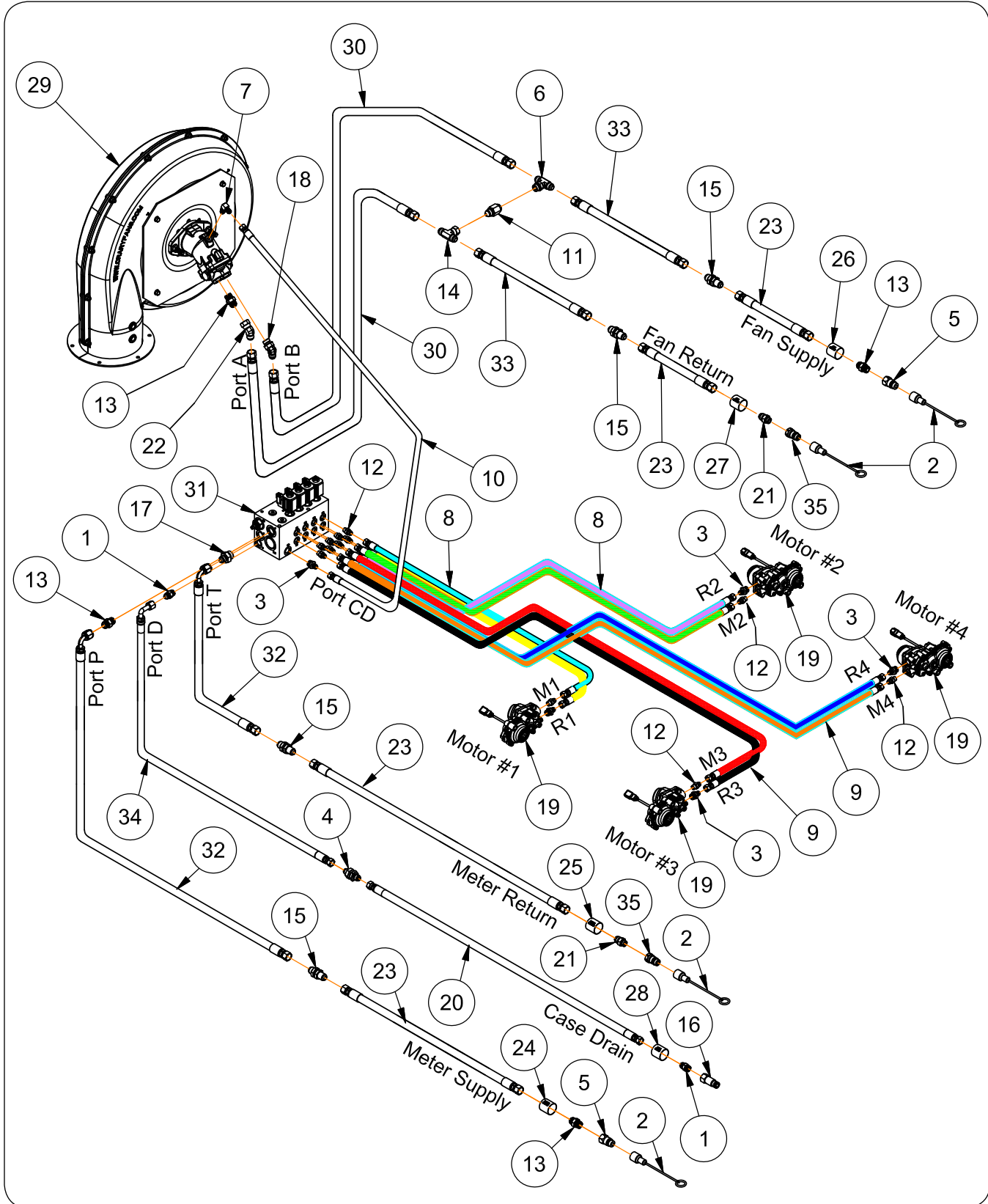
Please visit www.unverferth.com/parts/ for the most current parts listing.

ITEM	PART NUMBER	DESCRIPTION	QTY
1	9503026	Adapter, 7/8"-14 JIC Male x 3/4"-16 O-RING Male	4
2	91511	Dust Cap	4
3	92927	Adapter, 9/16"-18 JIC Male x 3/4"-16 O-Ring Male	5
4	9005789	Bulkhead Union, 7/8"-14 JIC Male x 7/8"-14 JIC Male Threaded w/Nut	5
5	95477	Pioneer Male Tip 7/8"-14 Female O-Ring	2
6	95541	Tee, 7/8"-14 JIC Male x 7/8"-14 JIC Male x 7/8"-14 O-Ring Male	1
7	97445	90° Elbow, 9/16"-18 JIC Male x 9/16"-18 O-Ring Male	1
8	9501696	Hose, 3/8" x 136" (9/16"-18 JIC Female x 9/16"-18 JIC Female)	4
9	9503809	Hose, 3/8" x 150" (9/16"-18 JIC Female x 9/16"-18 JIC Female)	4
10	9501692	Hose, 3/8" x 239 1/2" (9/16"-18 JIC Female x 9/16"-18 JIC Female)	1
11	902729	Check Valve, 7/8"-14 UNF-2B Female/Male Ends	1
12	9001495	Adapter, 9/16"-18 JIC Male x 9/16"-18 O-Ring Male	12
13	9002443	Adapter, 7/8"-14 JIC Male x 7/8"-14 O-Ring Male	5
14	9002465	Tee, 7/8"-14 JIC Male x 7/8"-14 JIC Male x 7/8"-14 JIC Female	1
15	PF1202-8434	Quick Connect, 3/4"-16 O-Ring Male, Return	2
16	9006048	Male Coupler Tip	1
17	TAWC99407	Adapter, 7/8"-14 JIC Male x 1 1/16"-12 O-Ring Male	1
18	9502614	45° Elbow, 7/8"-14 JIC Male x 7/8"-14 O-Ring Male	2
19	9502764	Omnirow Hydraulic Motor, 2.01 Cu In/Rev (1500 PSI)	4
	9503783	Seal Kit for Omnirow Hydraulic Motor	-
20	9504190	Hose, 5/8" x 116" (7/8"-14 JIC Female x 7/8"-14 JIC Female)	1
21	9503841	Hose, 5/8" x 504" (7/8"-14 JIC Female x 7/8"-14 JIC Female)	2
22	9503042	45° Elbow, 7/8"-14 JIC Male x 7/8"-14 JIC Female	2
23	9503648	Hose, 5/8" x 108" (7/8"-14 JIC Female x 7/8"-14 JIC Female)	4
24	9503705	Hose Marker, METER SUPPLY (BLUE)	1
25	9503706	Hose Marker, METER RETURN (BLUE)	1
26	9503707	Hose Marker, FAN SUPPLY (YELLOW)	1
27	9503708	Hose Marker, FAN RETURN (YELLOW)	1
28	9503709	Hose Marker, CASE DRAIN (YELLOW)	1
29	9503800	Aluminum Fan 8" Flanged Outlet	1
30	9503808	Hose, 5/8" x 64" (7/8"-14 JIC Female x 7/8"-14 JIC Female)	2
31	9503816	Valve Assembly, Dry Fertilizer Meter Drive	1
32	9503840	Hose, 5/8" x 420" (7/8"-14 JIC Female x 7/8"-14 JIC Female)	3

12-TON DRY FERTILIZER CART — Parts

Hydraulic Components — Serial Number A68760099 & Lower

Please visit www.unverferth.com/parts/ for the most current parts listing.



12-TON DRY FERTILIZER CART — Parts

Hydraulic Components — Serial Number A68760099 & Lower

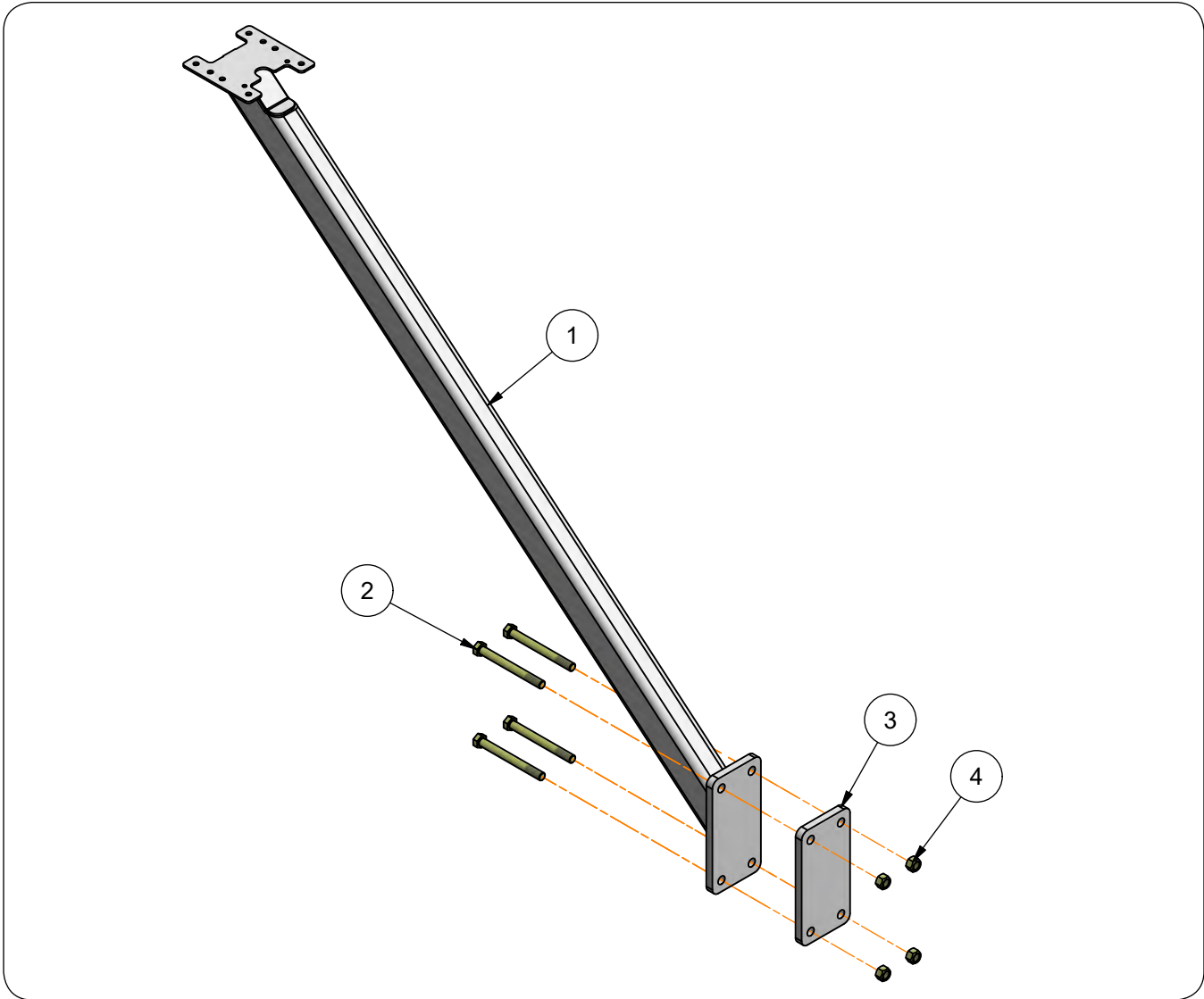
Please visit www.unverferth.com/parts/ for the most current parts listing.

ITEM	PART NUMBER	DESCRIPTION	QTY
1	9864	Adapter, 3/4"-16 JIC Male x 3/4"-16 O-Ring Male	2
2	91511	Dust Cap	4
3	92927	Adapter, 9/16"-18 JIC Male x 3/4"-16 O-Ring Male	5
4	93839	Bulkhead Union, 3/4"-16 JIC Male x 3/4"-16 JIC Male Threaded w/Nut	1
5	95477	Pioneer Male Tip 7/8"-14 Female O-Ring	2
6	95541	Tee, 7/8"-14 JIC Male x 7/8"-14 JIC Male x 7/8"-14 O-Ring Male	1
7	97445	90° Elbow, 9/16"-18 JIC Male x 9/16"-18 O-Ring Male	1
8	9501696	Hose, 3/8" x 136" (9/16"-18 JIC Female x 9/16"-18 JIC Female)	4
9	9503809	Hose, 3/8" x 150" (9/16"-18 JIC Female x 9/16"-18 JIC Female)	4
10	9501692	Hose, 3/8" x 239 1/2" (9/16"-18 JIC Female x 9/16"-18 JIC Female)	1
11	902729	Check Valve, 7/8"-14 UNF-2B Female/Male Ends	1
12	9001495	Adapter, 9/16"-18 JIC Male x 9/16"-18 O-Ring Male	12
13	9002443	Adapter, 7/8"-14 JIC Male x 7/8"-14 O-Ring Male	5
14	9002465	Tee, 7/8"-14 JIC Male x 7/8"-14 JIC Male x 7/8"-14 JIC Female	1
15	9005789	Union-Bulkhead, 7/8"-14UNF	4
16	9006048	Male Coupler Tip	1
17	TAWC99407	Adapter, 7/8"-14 JIC Male x 1 1/16"-12 O-Ring Male	1
18	9502614	45° Elbow, 7/8"-14 JIC Male x 7/8"-14 O-Ring Male	2
19	9502764	Omnirow Hydraulic Motor, 2.01 Cu In/Rev (1500 PSI)	4
	9503783	Seal Kit for Omnirow Hydraulic Motor	-
20	9502785	Hose, 1/2" x 116" (3/4"-16 JIC Female x 3/4"-16 JIC Female)	1
21	9503026	Adapter, 7/8"-14 JIC Male x 3/4"-16 O-Ring Male	2
22	9503042	45° Elbow, 7/8"-14 JIC Male x 7/8"-14 JIC Female	2
23	9503648	Hose, 5/8" x 108" (7/8"-14 JIC Female x 7/8"-14 JIC Female)	4
24	9503705	Hose Marker, METER SUPPLY	1
25	9503706	Hose Marker, METER RETURN	1
26	9503707	Hose Marker, FAN SUPPLY	1
27	9503708	Hose Marker, FAN RETURN	1
28	9503709	Hose Marker, CASE DRAIN	1
29	9503800	Aluminum Fan 8" Flanged Outlet	1
30	9503808	Hose, 5/8" x 64" (7/8"-14 JIC Female x 7/8"-14 JIC Female)	2
31	9503816	Valve Assembly, Dry Fertilizer Meter Drive	1
32	9503840	Hose, 5/8" x 420" (7/8"-14 JIC Female x 7/8"-14 JIC Female)	2
33	9503841	Hose, 5/8" x 504" (7/8"-14 JIC Female x 7/8"-14 JIC Female)	2
34	9503842	Hose, 1/2" x 420" (3/4"-16 JIC Female x 3/4"-16 JIC Female 90° Elbow Medium Drop)	1
35	PF1202-8434	Quick Connect, 3/4"-16 O-Ring Male, Return	2

12-TON DRY FERTILIZER CART — Parts

GPS Mounting Bracket Option

Please visit www.unverferth.com/parts/ for the most current parts listing.

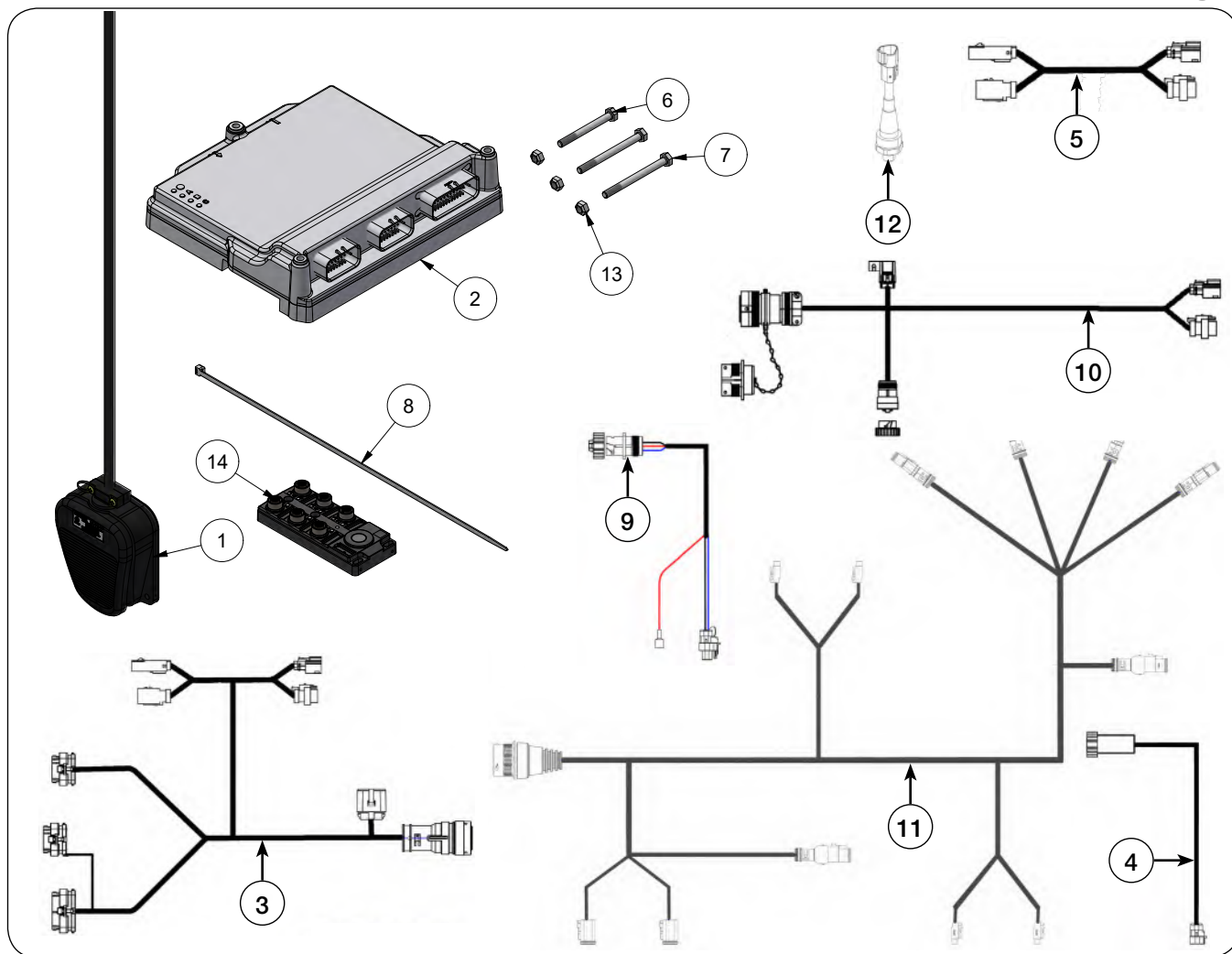


ITEM	PART NO.	DESCRIPTION	QTY	NOTES
	603842B	GPS Mount Assembly =Black=	-	Includes Items 1-4
1	603529B	GPS Arm Weldment =Black=	1	
2	9390-113	Capscrew, 1/2"-13UNC x 5" G5	4	
3	603524B	Plate =Black=	1	
4	9800	Lock Nut/Top, 1/2"-13UNC	4	

12-TON DRY FERTILIZER CART — Parts

Raven Controller ISO Kit

Please visit www.unverferth.com/parts/ for the most current parts listing.



ITEM	PART NO.	DESCRIPTION	QTY	NOTES
	45378	Raven Controller ISO Kit	-	Includes Items 1-13
1	9005916	Foot Switch Wire Harness, 23'	1	
2	9008022	Rate Control Module	1	
3	9008095	Wire Harness, RCM ECU 47-Pin Rate	1	
4	9008827	Adapter Cable, 6-Pin to M12 For ISO Scale Option	2	
5	9009019	Wire Harness, Gen 1 ISO to IBIC Hitch, 9'	1	
6	9390-011	Capscrew, 1/4"-20UNC x 2 1/2" G5	1	
7	9390-013	Capscrew, 1/4"-20UNC x 3" G5	2	
8	94037	Cable Tie, 15 1/2"	20	
9	9503390	Foot Switch Wire Harness, 23'	1	
10	9503926	Wire Harness, Gen 1 ISO to IBIC Hitch, 36'	1	
11	9503927	Dry Fertilizer Product Cable - 4 Motor Control	1	
12	9504004	Pressure Transducer	1	
13	9936	Lock Nut/Top, 1/4"-20UNC	3	
14	9004925	J-Block, EZ Mate	2	



Unverferth[®]
Manufacturing Company, Inc.

www.unverferth.com